

REVISIONS			
REV.	DESCRIPTION	DATE	APPROVED
A	PRODUCTION RELEASE	10/16/12	K.R.

Nominal Coil Voltage	Part Number	Flange Type
28 Vdc	WR90S1-4321	COVER FLANGE
28 Vdc	WR90S2-4321	CHOKE FLANGE

REVISIONS	A	A	A			
SHEET NO.	1	2	3			
APPROVALS			DATE			
DRAWN SARA LEE		10/15/12				
ENGINEERING T. JOHNSON		10/16/12				
QUALITY S. LYNCH		10/16/12				
MANUFACTURING J. LEE		10/16/12				



**DowKey®**  
**Microwave**  
CORPORATION

4822 McGrath Street  
Ventura, CA. 93003-5641  
PH: (805) 650-0260  
FAX: (805) 650-1734

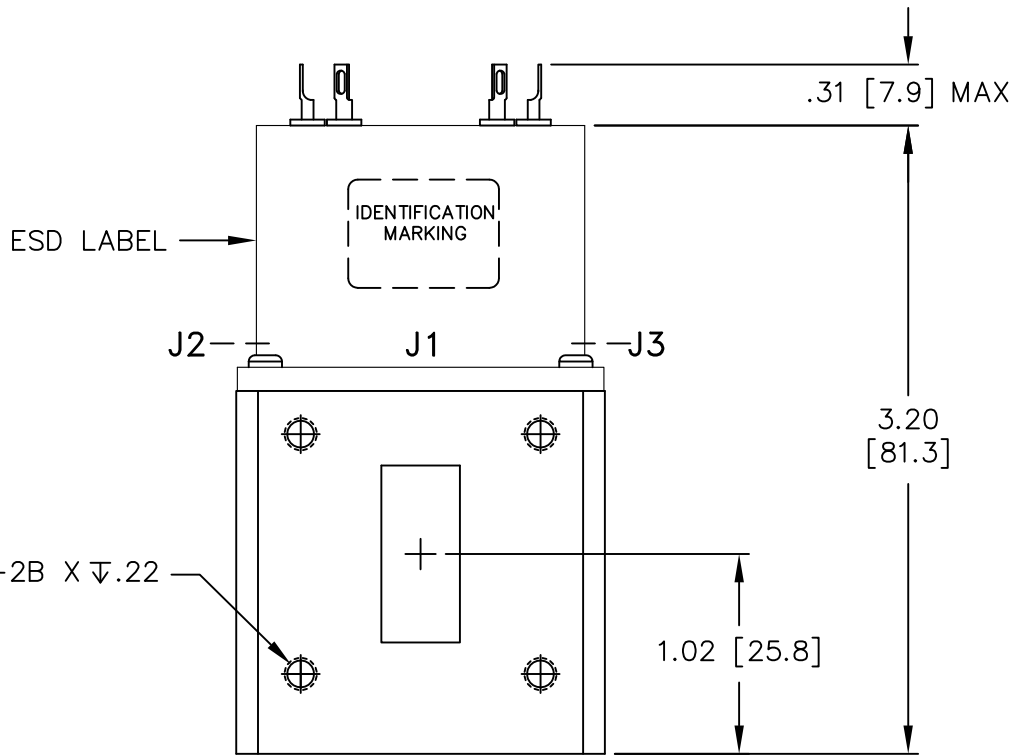
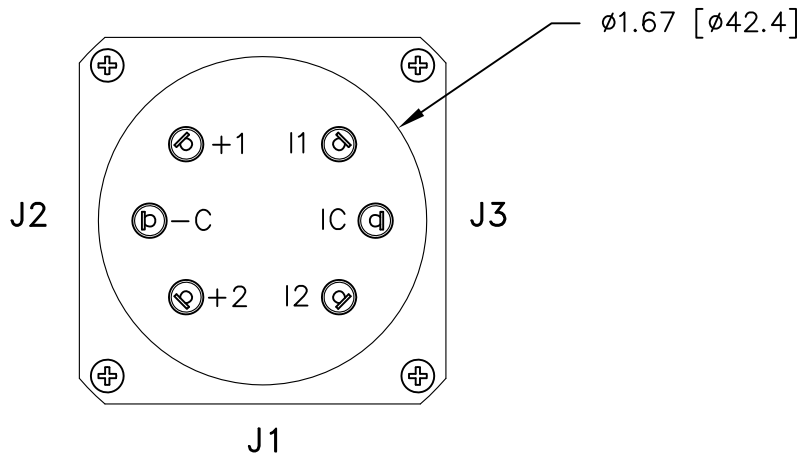
A **DOVER** TECHNOLOGIES COMPANY

**WR90 WAVEGUIDE SWITCH, SPDT,  
LATCHING SELF CUT-OFF, 28 VDC  
-COMMON, INDICATORS**

CODE IDENT. NO. 00471	DWG. NO. WR90SX-4321
--------------------------	-------------------------

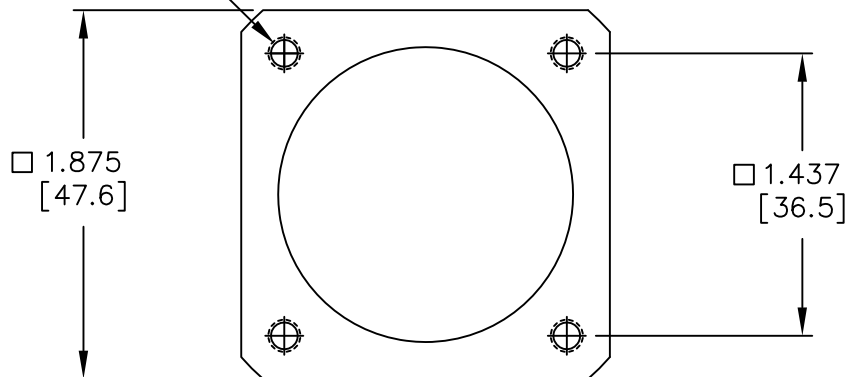
SCALE NONE	FINAL ASSY:	SHEET 1 OF 3
------------	-------------	--------------

OUTLINE DRAWING:



16X, #8-32UNC-2B X  $\nabla$ .22

4X, #8-32UNC-2B X  $\nabla$ .25



[ ] MILLIMETERS

UNLESS OTHERWISE SPECIFIED TOLERANCES ARE: .XXX ±.010 ANGLES: ±3° .XX ±.030	CODE IDENT. NO. 00471	DWG. NO. WR90SX-4321	REV. A
	SCALE NONE	SHEET 2 OF 3	

## SPECIFICATIONS:

### 1. RF CHARACTERISTICS:

1.1 FREQUENCY (GHz):	8.2–12.40
1.2 VSWR (RATIO MAX):	1.15:1
1.3 INSERTION LOSS (dB MAX):	0.10
1.4 ISOLATION (dB MIN):	60

### 2. ACTUATION DATA:

2.1 OPERATING VOLTAGE:	24–30 Vdc (28Vdc NOMINAL)
2.2 OPERATING CURRENT:	.35A MAX @ 28Vdc & 20°C
2.3 SWITCHING TIME:	100ms MAX
2.4 OPERATING MODE:	LATCHING SELF CUT-OFF

### 3. MECHANICAL:

3.1 WEIGHT:	300g MAX
3.2 DESIGN LIFE:	200,000 CYCLES

### 4. ENVIRONMENTAL:

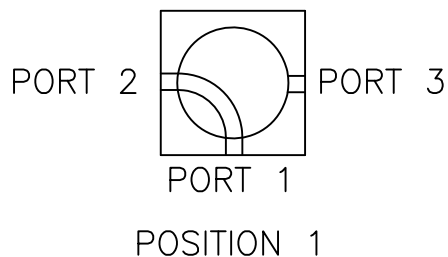
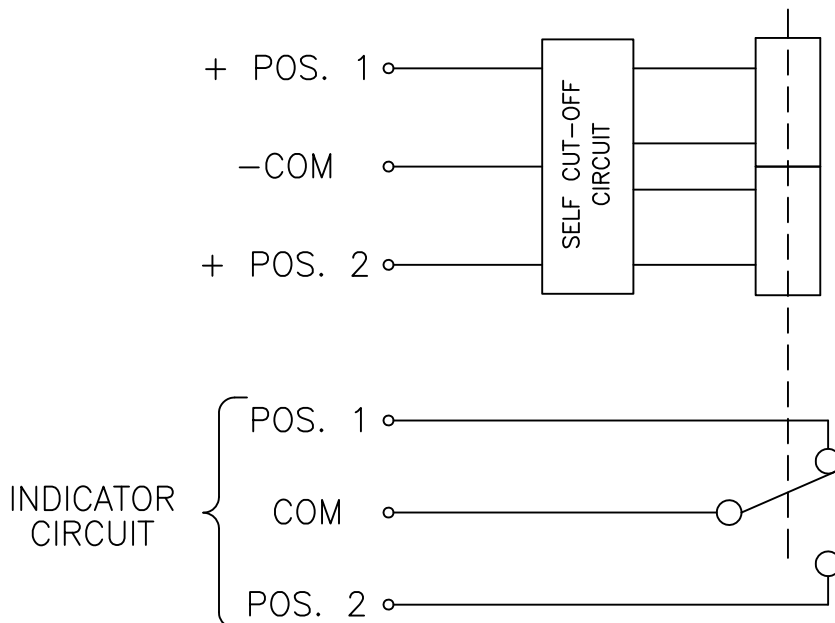
4.1 OPERATING TEMPERATURE:	–54°C TO +85°C
4.2 STORAGE TEMPERATURE:	–54°C TO +85°C

### 5. MATERIALS AND FINISHES:

5.1 RF WAVEGUIDE HOUSING:	ALUMINUM, CHEM FILM
5.2 ACTUATOR HOUSING:	ALUMINUM, ELECTROLESS NICKEL

## SCHEMATIC:

### SCHEMATIC DIAGRAM (SHOWN IN POS 1)



CODE IDENT. NO. 00471	DWG. NO. WR90SX-4321	REV. A
SCALE NONE	SHEET 3 OF 3	