
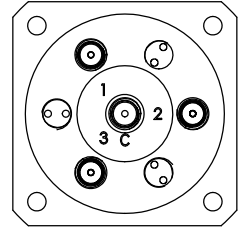
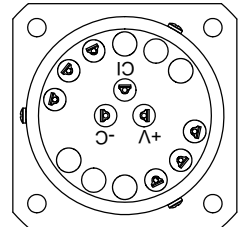
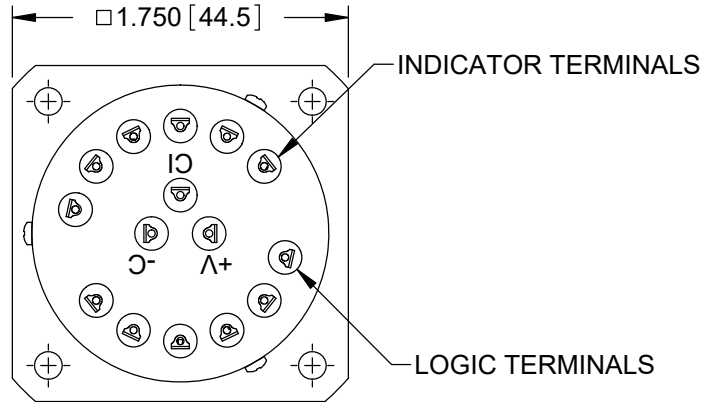


REVISIONS			
REV.	DESCRIPTION	DATE	APPROVED
C	REVISED PER ECO 11059	1/14/15	K.R.
D	REVISED PER ECO 12794	7/26/22	A.Z.

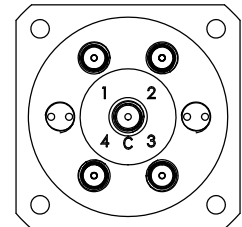
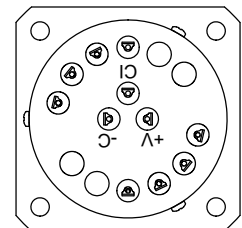
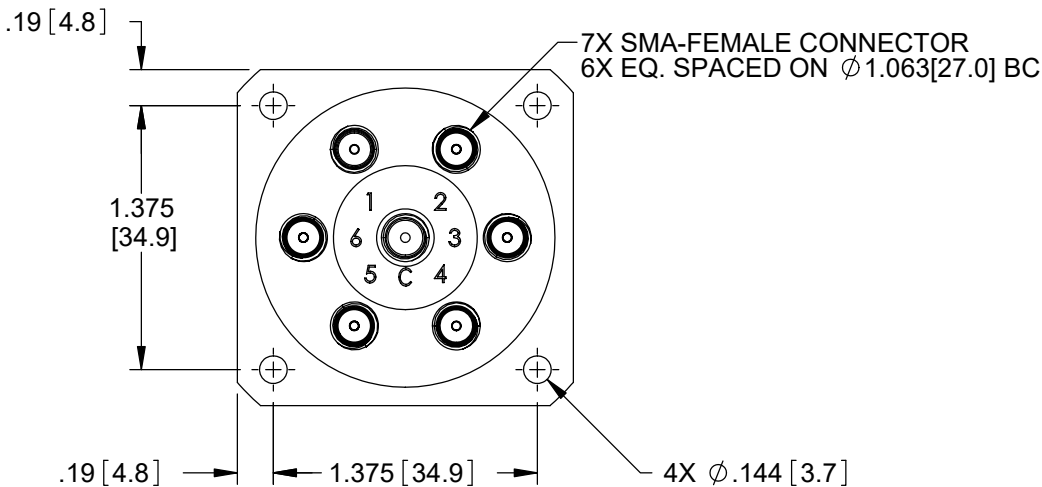
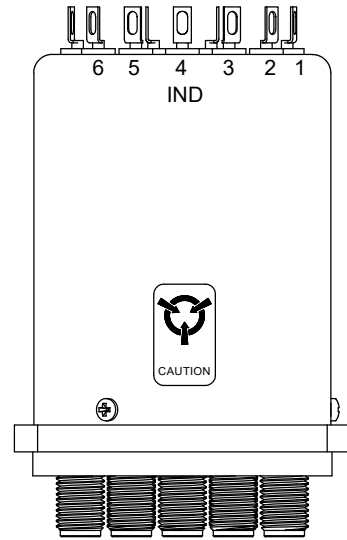
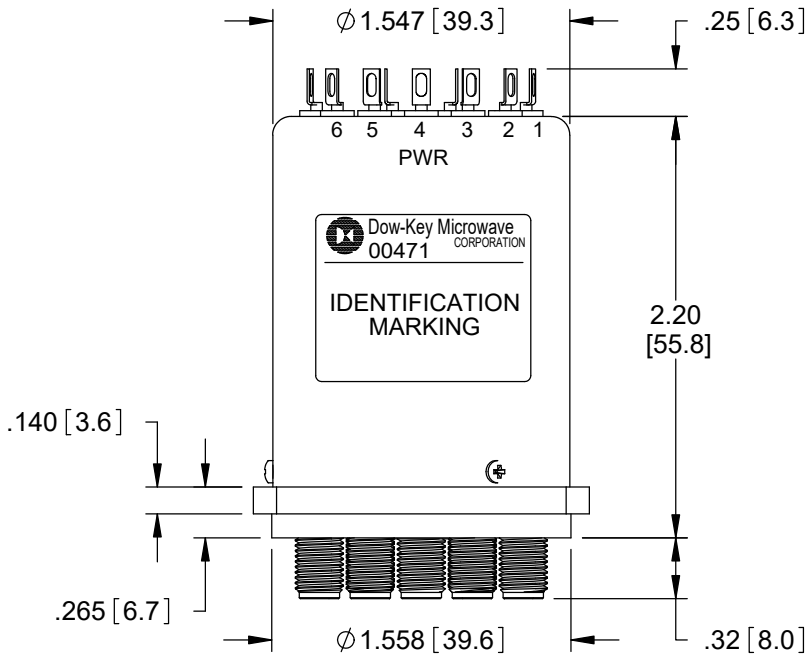
Nominal Coil Voltage	Part Number		
	SP3T	SP4T	SP6T
12 Vdc	535-520822A	545-520822A	565-520822A
15 Vdc	535-590822A	545-590822A	565-590822A
24 Vdc	535-580822A	545-580822A	565-580822A
28 Vdc	535-530822A	545-530822A	565-530822A

APPROVALS	DATE	 DowKey[®] Microwave CORPORATION <small>A DOVER TECHNOLOGIES COMPANY</small>		4822 McGrath Street Ventura, CA. 93003-5641 PH: (805) 650-0260 FAX: (805) 650-1734	
DRAWN					
SARA LEE	01/08/15	SW, 3-6 POSITION, NORMALLY OPEN SMA-FEMALE CONNECTORS, INDICATORS TTL CONTROL			
ENGINEERING					
G. NICKLAUS	7/21/2022				
QUALITY		CODE IDENT. NO.	DWG. NO.		
G. WAKEFIELD	1/14/2015	00471	5X5-5X0822A		
MANUFACTURING		SCALE	NONE	FINAL ASSY: 565-530822A	SHEET 1 OF 3
J. LEE	1/14/2015				

OUTLINE DRAWING:



3 POSITION



4 POSITION

[] MILLIMETERS

UNLESS OTHERWISE SPECIFIED TOLERANCES ARE:
.XXX ±.010 ANGLES: ±3°
.XX ±.030

CODE IDENT. NO.
00471

DWG. NO.
565-5X0822A

REV.
D

SCALE NONE

FINAL ASSY: 565-530822A

SHEET 2 OF 3

SPECIFICATION:

1.0 RF CHARACTERISTICS:

1.1 FREQUENCY (GHz)	DC - 4	4 - 8	8 - 12.4	12.4 - 18
1.2 VSWR (RATIO MAX)	1.20:1	1.30:1	1.40:1	1.50:1
1.3 INSERTION LOSS (dB MAX)	0.20	0.30	0.40	0.50
1.4 ISOLATION (dB MIN)	70	65	65	60
1.5 RF POWER (WATTS CW MAX)	125	90	75	60
1.6 IMPEDANCE (NOMINAL)	50 OHMS			

2.0 ACTUATION DATA:

2.1	NOMINAL VOLTAGE	OPERATING VOLTAGE	CURRENT (TYP) @ NOMINAL VOLTAGE & 25°C
	12	11-14	335mA
	15	13-17	280mA
	24	20-28	190mA
	28	24-32	160mA

2.2 SWITCHING TIME 20mS MAX
 2.3 OPERATING MODE NORMALLY OPEN

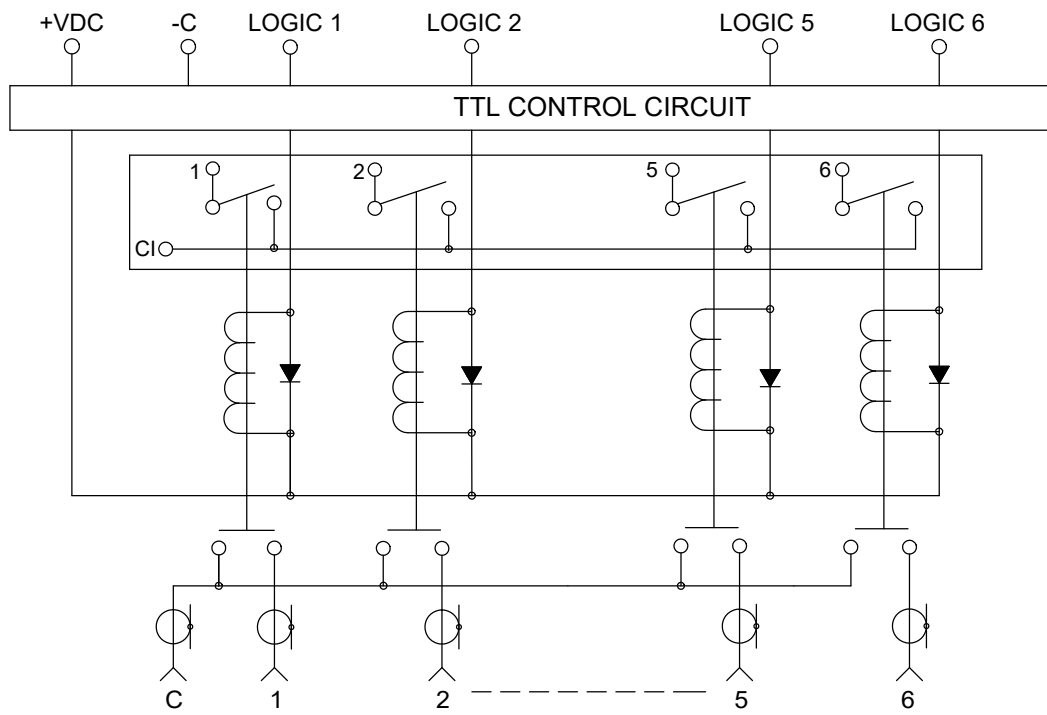
3.0 MECHANICAL:

3.1 RF CONTACTS BREAK BEFORE MAKE
 3.2 WEIGHT 4.5oz (128g) NOMINAL
 3.3 DESIGN LIFE 2,000,000 CYCLES MINIMUM

4.0 ENVIRONMENTAL:

4.1 OPERATING TEMPERATURE -25°C TO +65°C
 4.2 STORAGE TEMPERATURE -55°C TO +85°C
 4.3 SEAL: SAND AND DUST

SCHEMATIC:



SWITCH SHOWN IN THE DE-ENERGIZED POSITION

LOGIC HI (ON) 1 = 2.4-5.5Vdc
 LOGIC LOW (OFF) 0 = 0-0.8Vdc

CODE IDENT. NO. 00471	DWG. NO. 5X5-5X0822A	REV. D
SCALE NONE	FINAL ASSY: 565-530822A	SHEET 3 OF 3