
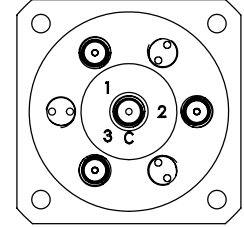
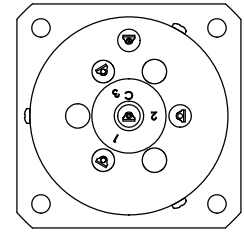
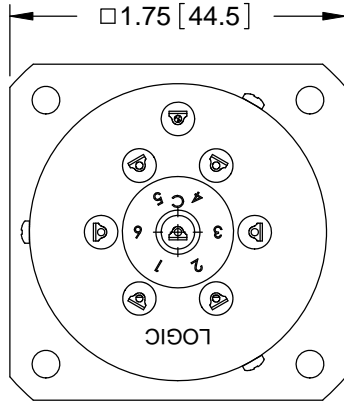


REVISIONS			
REV.	DESCRIPTION	DATE	APPROVED
D	REVISED PER ECO 6003	12/13/99	J.A.
E	REVISED AND REDRAWN PER ECO 11034	12/10/14	K.R.

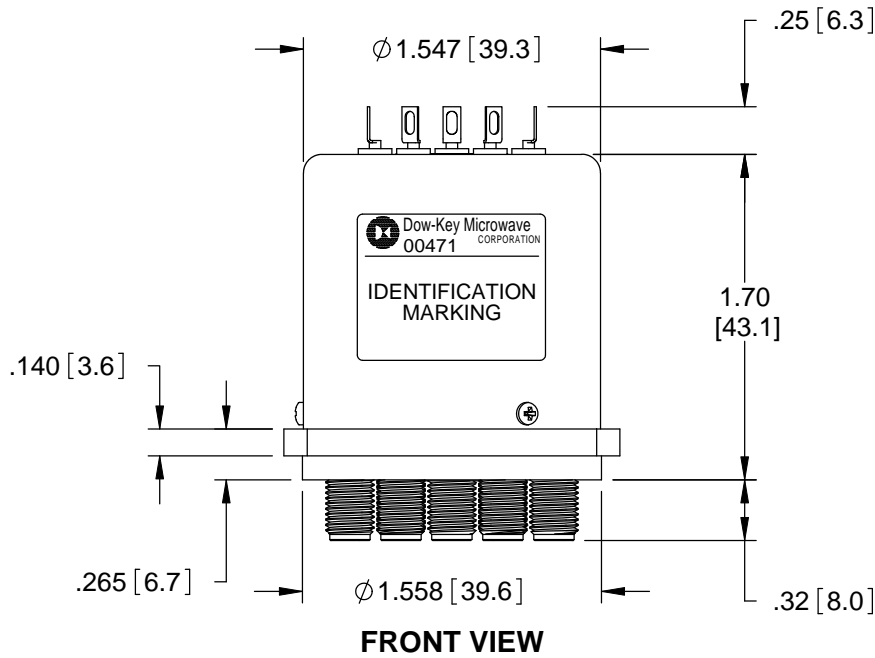
Nominal Coil Voltage	Part Number		
	SP3T	SP4T	SP6T
12 Vdc	535-520802A	545-520802A	565-520802A
15 Vdc	535-590802A	545-590802A	565-590802A
24 Vdc	535-580802A	545-580802A	565-580802A
28 Vdc	535-530802A	545-530802A	565-530802A

REVISIONS	E	E	E				 <b>DowKey<sup>®</sup> Microwave</b> CORPORATION <small>A DOVER TECHNOLOGIES COMPANY</small>	4822 McGrath Street Ventura, CA. 93003-5641 PH: (805) 650-0260 FAX: (805) 650-1734
SHEET NO.	1	2	3					
APPROVALS		DATE					<b>SW, 3-6 POSITION, NORMALLY OPEN SMA-FEMALE CONNECTORS TTL-HI CONTROL</b>	
DRAWN SARA LEE		11/25/14						
ENGINEERING G. NICKLAUS		12/9/2014						
QUALITY S. LYNCH		12/9/2014						
MANUFACTURING J. LEE		12/10/2014						
CODE IDENT. NO.				DWG. NO.				
<b>00471</b>				<b>5X5-5X0802A</b>				
SCALE		NONE		FINAL ASSY: 565-530802A			SHEET 1 OF 3	

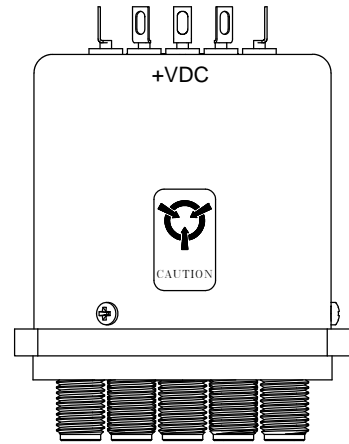
# OUTLINE DRAWING:



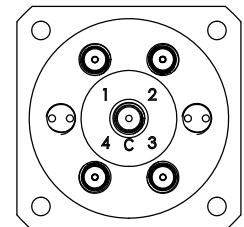
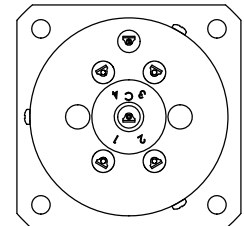
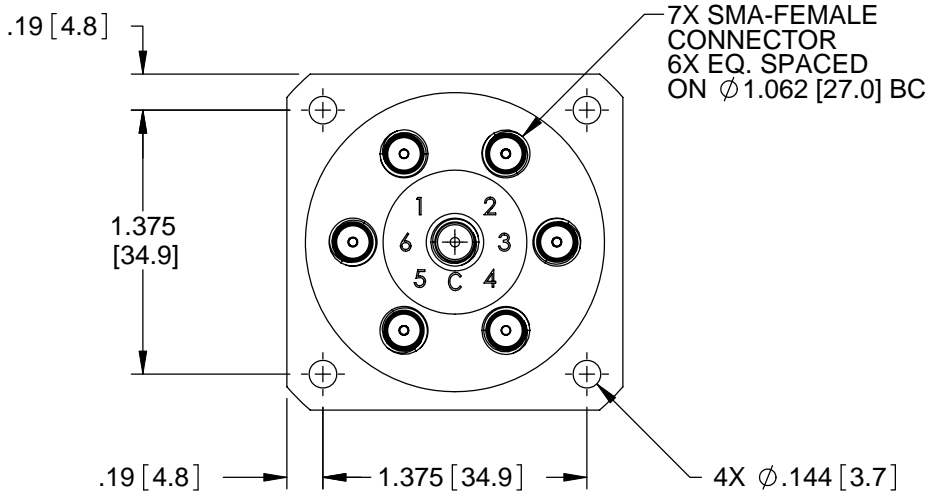
**3 POSITION**



**FRONT VIEW**



**REAR VIEW**



**4 POSITION**

[ ] MILLIMETERS

UNLESS OTHERWISE SPECIFIED TOLERANCES ARE: .XXX ±.010 ANGLES: ±3° .XX ±.030	CODE IDENT. NO. <b>00471</b>	DWG. NO. <b>5X5-5X0802A</b>	REV. <b>E</b>
	SCALE NONE	FINAL ASSY: 565-530802A	SHEET 2 OF 3

# SPECIFICATION:

## 1.0 RF CHARACTERISTICS:

1.1 FREQUENCY (GHz)	DC - 4	4 - 8	8 - 12.4	12.4 - 18
1.2 VSWR (RATIO MAX)	1.20:1	1.30:1	1.40:1	1.50:1
1.3 INSERTION LOSS (dB MAX)	0.20	0.30	0.40	0.50
1.4 ISOLATION (dB MIN)	70	65	65	60
1.5 RF POWER (WATTS CW MAX)	125	90	75	60
1.6 IMPEDANCE (NOMINAL)	50 OHMS			

## 2.0 ACTUATION DATA:

2.1	NOMINAL VOLTAGE	OPERATING VOLTAGE	CURRENT (TYP) @ NOMINAL VOLTAGE & 25°C
	12	11-14	335mA
	15	13-17	280mA
	24	20-28	190mA
	28	24-32	160mA

2.2 SWITCHING TIME 20mS MAX  
 2.3 OPERATING MODE NORMALLY OPEN

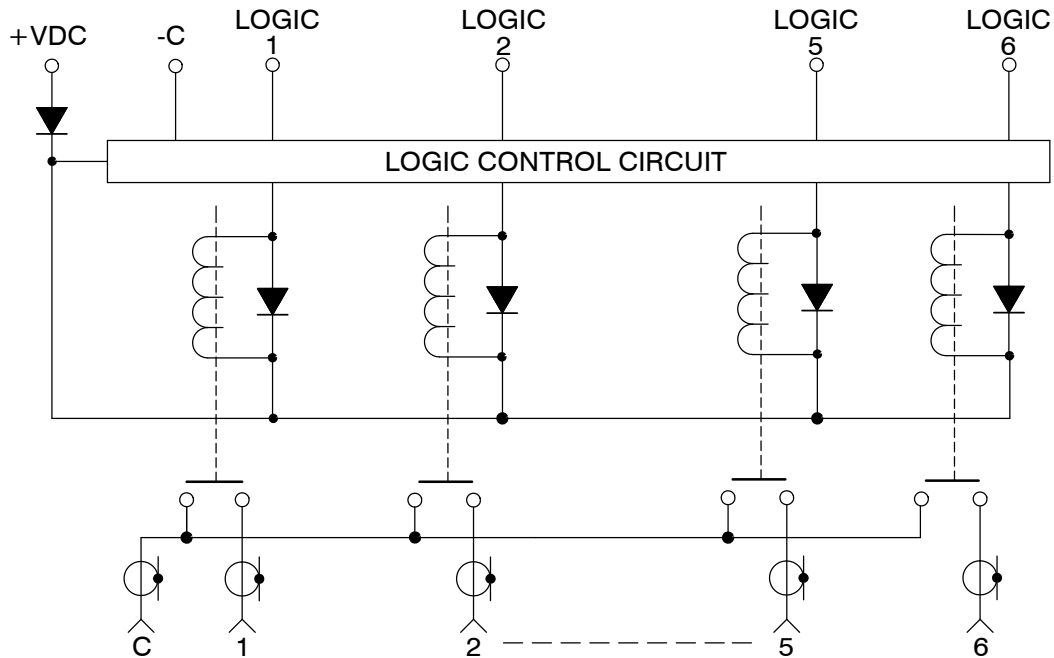
## 3.0 MECHANICAL:

3.1 RF CONTACTS BREAK BEFORE MAKE  
 3.2 WEIGHT 4.0oz (113g) NOMINAL  
 3.3 DESIGN LIFE 2,000,000 CYCLES MINIMUM

## 4.0 ENVIRONMENTAL:

4.1 OPERATING TEMPERATURE -25°C TO +65°C  
 4.2 STORAGE TEMPERATURE -55°C TO +85°C  
 4.3 SEAL: SAND AND DUST

# SCHEMATIC:



SWITCH SHOWN IN THE DE-ENERGIZED POSITION

LOGIC HI (ON) 1 = 2.4-5.5Vdc  
 LOGIC LOW (OFF) 0 = 0-0.8Vdc

CODE IDENT. NO. <b>00471</b>	DWG. NO. <b>5X5-5X0802A</b>	REV. <b>E</b>
SCALE NONE	FINAL ASSY: 565-530802A	SHEET 3 OF 3