

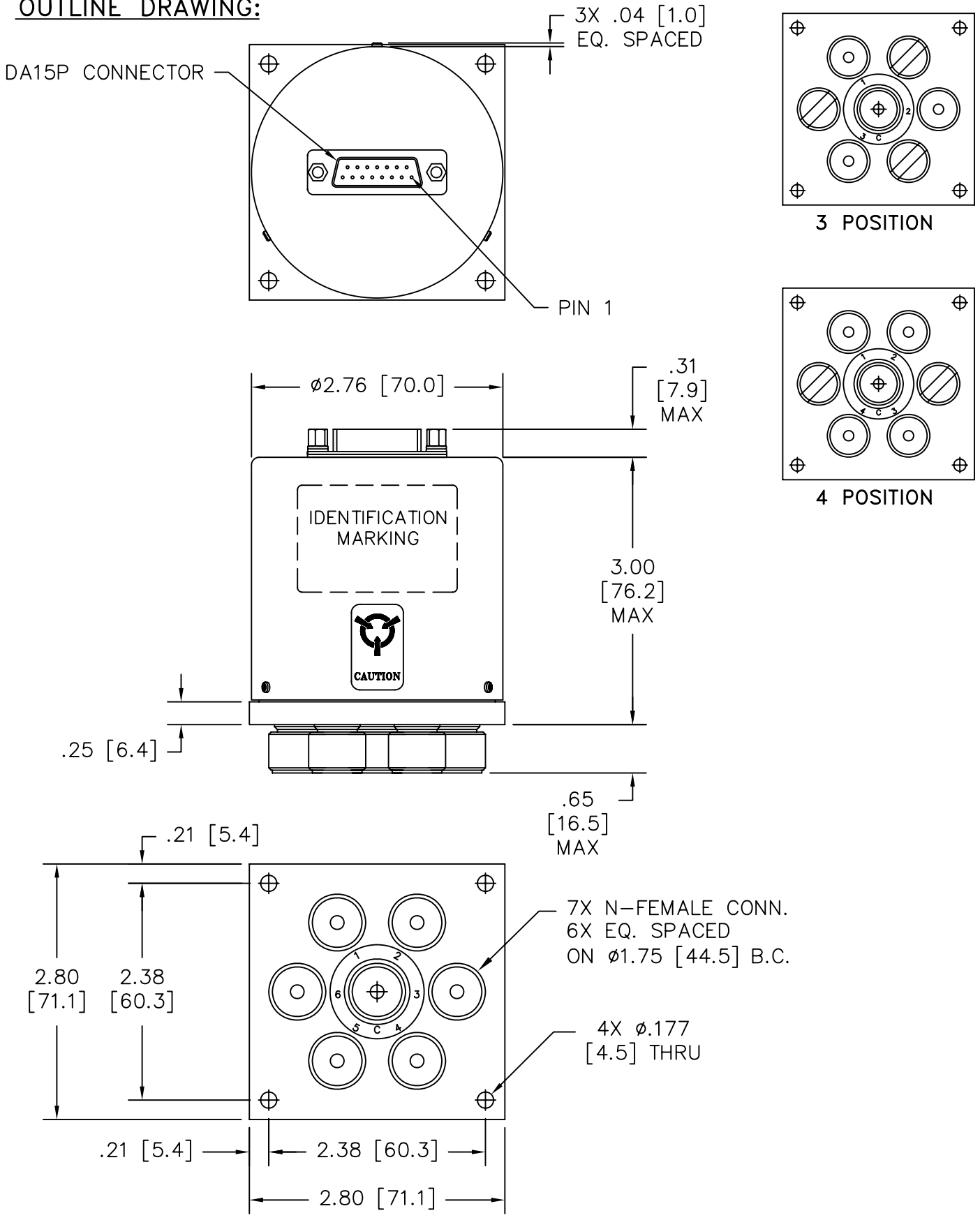


REVISIONS			
REV.	DESCRIPTION	DATE	APPROVED
A	PRODUCTION RELEASE	3/26/08	K.R.
B	REVISED PER ECO #9891	7/01/10	K.R.

Nominal Coil Voltage	Part Number		
	SP3T	SP4T	SP6T
12 Vdc	531AJ-420122A	541AJ-420122A	561AJ-420122A
15 Vdc	531AJ-490122A	541AJ-490122A	561AJ-490122A
24 Vdc	531AJ-480122A	541AJ-480122A	561AJ-480122A
28 Vdc	531AJ-430122A	541AJ-430122A	561AJ-430122A

REVISIONS	B	B	B				 DowKey® Microwave CORPORATION	4822 McGrath Street Ventura, CA. 93003-5641 PH: (805) 650-0260 FAX: (805) 650-1734
SHEET NO.	1	2	3					
APPROVALS			DATE					
DRAWN	S. LEE		3/18/08					
ENG	G. NICKLAUS		3/25/08			SWITCH, 3-6 POSITION, LATCHING SELF CUT-OFF HI-POWER N-FEMALE CONNECTORS, INDICATORS TTL CONTROL, DA15P DC CONNECTOR		
ENG. MGR.	R. SZNUK		3/24/08					
SALES MGR.	J. TRUJILLO		3/26/08					
Q.A. MGR.	R. MATSUMOTO		3/26/08			CODE IDENT. NO.	DWG. NO.	
MFG. MGR.	M. MARTINEZ		3/26/08			00471	5X1AJ-4X0122A	
SCALE			NONE			FINAL ASSY:		SHEET 1 OF 3

OUTLINE DRAWING:



[] MILLIMETERS

UNLESS OTHERWISE SPECIFIED TOLERANCES ARE: .XXX ±.010 ANGLES: ±3' .XX ±.030	CODE IDENT. NO. 00471	DWG. NO. 5X1AJ-4X0122A	REV. B
	SCALE NONE	SHEET 2 OF 3	

SPECIFICATIONS:

1. RF CHARACTERISTICS:

1.1 FREQUENCY (GHz):	DC-4	4-8
1.2 VSWR (RATIO MAX):	1.25:1	1.50:1
1.3 INSERTION LOSS (dB MAX):	0.30	0.50
1.4 ISOLATION (dB MIN):	70	65
1.5 RF POWER (WATTS CW MAX):	375	250

2. ACTUATION DATA:

2.1	NOMINAL VOLTAGE	OPERATING VOLTAGE	CURRENT (TYP) @ NOMINAL VOLTAGE & 25°C
	12	11-14	520mA
	15	13-17	650mA
	24	20-28	260mA
	28	24-32	225mA

2.2 SWITCHING TIME: 20ms MAX

2.3 OPERATING MODE: LATCHING SELF CUT-OFF, TTL-HI CONTROL

3. MECHANICAL:

3.1 RF CONTACTS: BREAK BEFORE MAKE

3.2 WEIGHT: 22.0oz. (624g.) NOMINAL

3.3 DESIGN LIFE: 1,000,000 CYCLES MIN

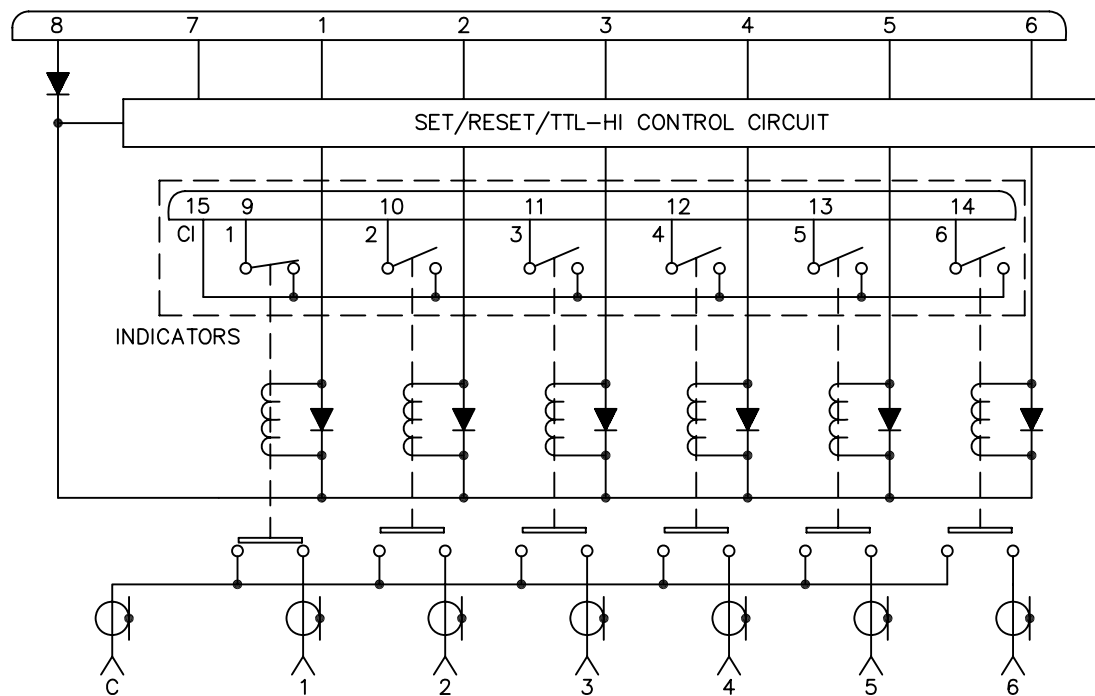
4. ENVIRONMENTAL:

4.1 OPERATING TEMPERATURE: -25°C TO +65°C

4.2 STORAGE TEMPERATURE: -55°C TO +85°C

4.3 SEAL: SAND AND DUST

SCHEMATIC:



DA15P

PIN NO.	FUNCTION
1	LOGIC POS.1
2	LOGIC POS.2
3	LOGIC POS.3
4	LOGIC POS.4
5	LOGIC POS.5
6	LOGIC POS.6
7	-COM
8	+VDC
9	IND POS.1
10	IND POS.2
11	IND POS.3
12	IND POS.4
13	IND POS.5
14	IND POS.6
15	IND COM

SCHEMATIC SHOWN WITH POSITION 1 CLOSED.

LOGIC HI "1" = 2.4-5.5 VDC (ON)
LOGIC LO "0" = 0.0 - 0.8 VDC (OFF)

CODE IDENT. NO. 00471	DWG. NO. 5X1AJ-4X0122A	REV. B
SCALE NONE	SHEET 3 OF 3	