

| CONFIGURATION CONTROL | |
|---------------------------------------|----------------|
| LEVEL | EFFECTIVE DATE |
| 0 <input checked="" type="checkbox"/> | _____ |
| 1 <input type="checkbox"/> | _____ |
| 2 <input type="checkbox"/> | _____ |
| 3 <input type="checkbox"/> | _____ |

| REVISIONS | | | |
|-----------|-----------------------|----------|----------|
| REV. | DESCRIPTION | DATE | APPROVED |
| A | PRODUCTION RELEASE | 11/4/98 | J.A. |
| B | REVISED PER ECO #8012 | 11/17/04 | J.S. |

| Nominal Coil Voltage | Part Number | | |
|-------------------------|-------------|----------|----------|
| | SP3T | SP4T | SP6T |
| 12 Vdc | 531-5201 | 541-5201 | 561-5201 |
| 24 Vdc | 531-5801 | 541-5801 | 561-5801 |
| 28 Vdc | 531-5301 | 541-5301 | 561-5301 |

| | | | | | | |
|------------|--------------|---|----------|--|--|--|
| REVISIONS | B | B | B | | | |
| SHEET NO. | 1 | 2 | 3 | | | |
| APPROVALS | | | DATE | | | |
| DRAWN | S. LEE | | 11/16/04 | | | |
| ENG | S. LEE | | 11/16/04 | | | |
| ENG. MGR. | R. SZNUK | | 11/16/04 | | | |
| SALES MGR. | A. CHEUNG | | 11/17/04 | | | |
| Q.A. MGR. | R. MATSUMOTO | | 11/17/04 | | | |
| MFG. MGR. | R. GONZALEZ | | 11/17/04 | | | |



DowKey®
Microwave
CORPORATION

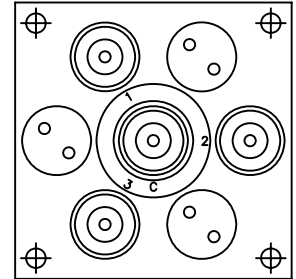
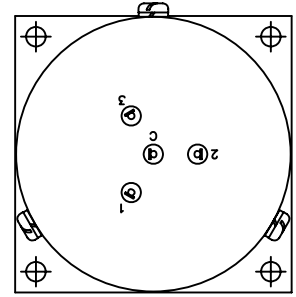
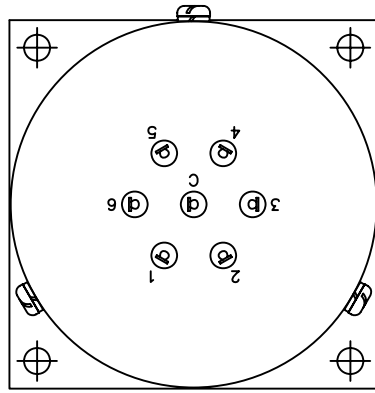
4822 McGrath Street
Ventura, CA. 93003-5641
PH: (805) 650-0260
FAX: (805) 650-1734

A **DOVER** TECHNOLOGIES COMPANY

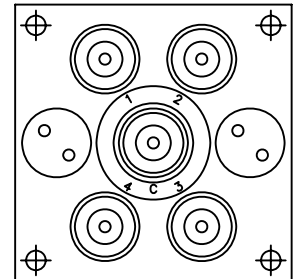
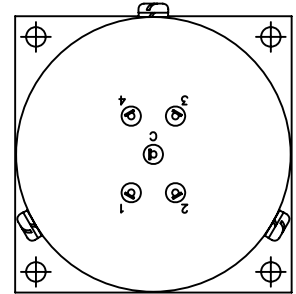
SWITCH, 3-6 POSITION, NORMALLY OPEN
N-FEMALE CONNECTORS

| | | | |
|-----------------|-------------|--------------|--|
| CODE IDENT. NO. | DWG. NO. | SHEET 1 OF 3 | |
| 00471 | 5X1-5X01 | | |
| SCALE NONE | FINAL ASSY: | | |

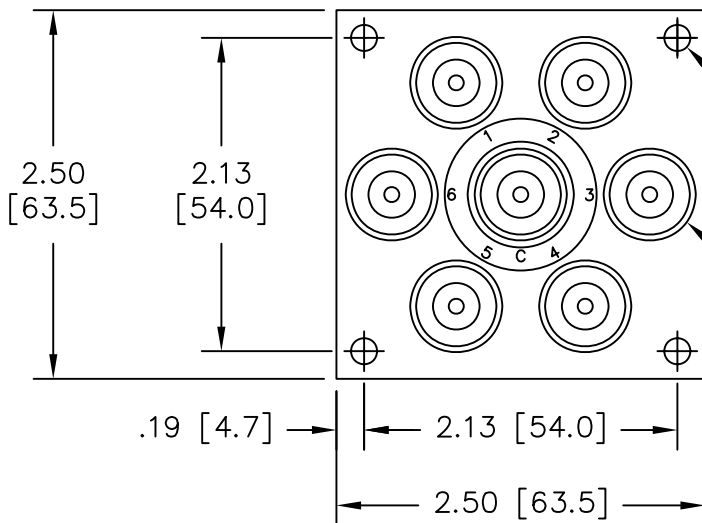
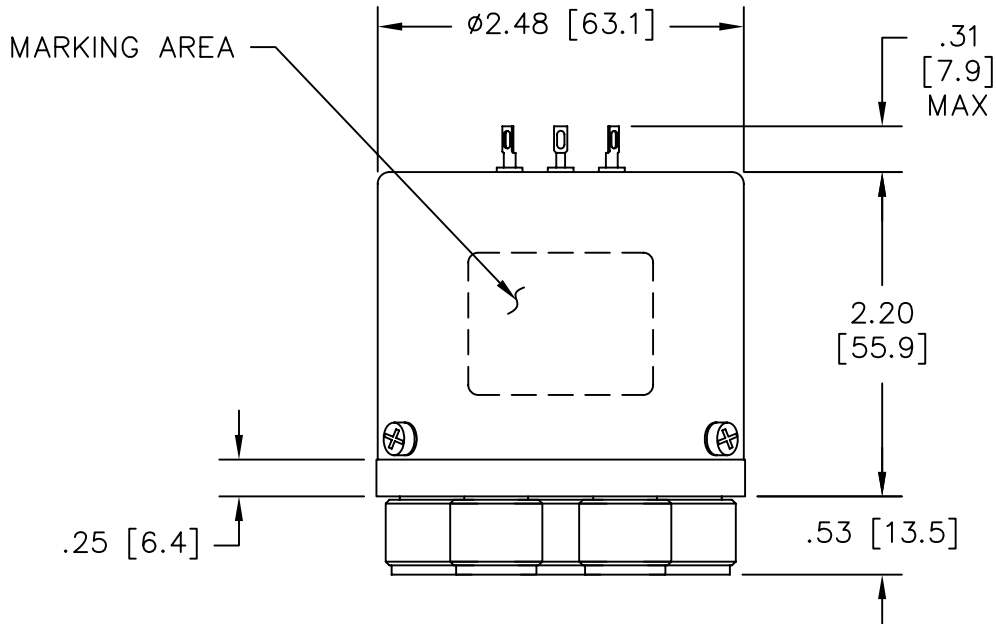
OUTLINE DRAWING:



3 POSITION



4 POSITION



4X ϕ .177
[4.5] THRU

7X N-FEMALE CONNECTORS
6X EQ. SPACED ON
 ϕ 1.75 [44.5] B.C.

[] MILLIMETERS

| | | | |
|---|--------------------------|----------------------|-----------|
| UNLESS OTHERWISE SPECIFIED TOLERANCES ARE: .XXX ±.010 ANGLES: ±3° .XX ±.030 | CODE IDENT. NO. 00471 | DWG. NO. 5X1-5X01 | REV. B |
| | SCALE NONE | SHEET 2 OF 3 | |

SPECIFICATIONS:

1. RF CHARACTERISTICS:

| | | | |
|----------------------------|--------|--------|--------|
| 1.1 FREQUENCY (GHz): | DC-4 | 4-8 | 8-12.4 |
| 1.2 VSWR (MAX.): | 1.25:1 | 1.35:1 | 1.70:1 |
| 1.3 INSERTION LOSS (MAX.): | 0.30dB | 0.40dB | 0.70dB |
| 1.4 ISOLATION (MIN.): | 70dB | 60dB | 55dB |
| 1.5 RF POWER, WATTS (CW): | 175 | 125 | 100 |

2. ACTUATION DATA:

| 2.1 | NOMINAL VOLTAGE | OPERATING VOLTAGE | CURRENT (TYP) |
|-----|-----------------|-------------------|--------------------------|
| | | | @ NOMINAL VOLTAGE & 25°C |
| | 12 | 11-14 | 100mA |
| | 24 | 20-28 | 65mA |
| | 28 | 24-32 | 55mA |

| | |
|---------------------|---------------|
| 2.2 SWITCHING TIME: | 20ms MAX. |
| 2.3 OPERATING MODE: | NORMALLY OPEN |

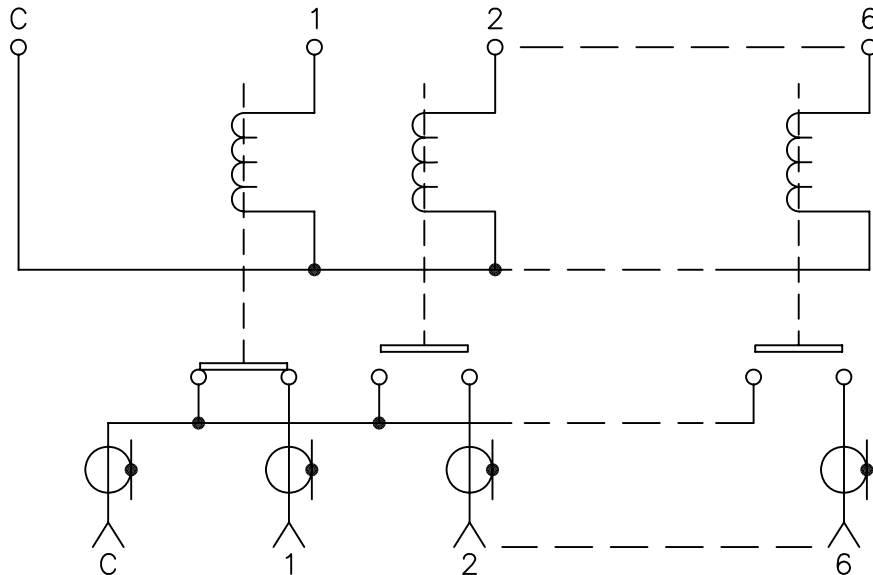
3. MECHANICAL:

| | |
|-------------------------|-------------------|
| 3.1 RF CONTACTS: | BREAK BEFORE MAKE |
| 3.2 WEIGHT, NOMINAL: | 17.0oz. (482g.) |
| 3.3 DESIGN LIFE (MIN.): | 1,000,000 CYCLES |

4. ENVIRONMENTAL:

| | |
|----------------------------|----------------|
| 4.1 OPERATING TEMPERATURE: | -25°C TO +65°C |
| 4.2 STORAGE TEMPERATURE: | -55°C TO +85°C |
| 4.3 SEAL: | SAND AND DUST |

SCHMATIC:



TERMINALS NOT POLARITY SENSITIVE

| | | |
|--------------------------|----------------------|-----------|
| CODE IDENT. NO. 00471 | DWG. NO. 5X1-5X01 | REV. B |
| SCALE NONE | SHEET 3 OF 3 | |