
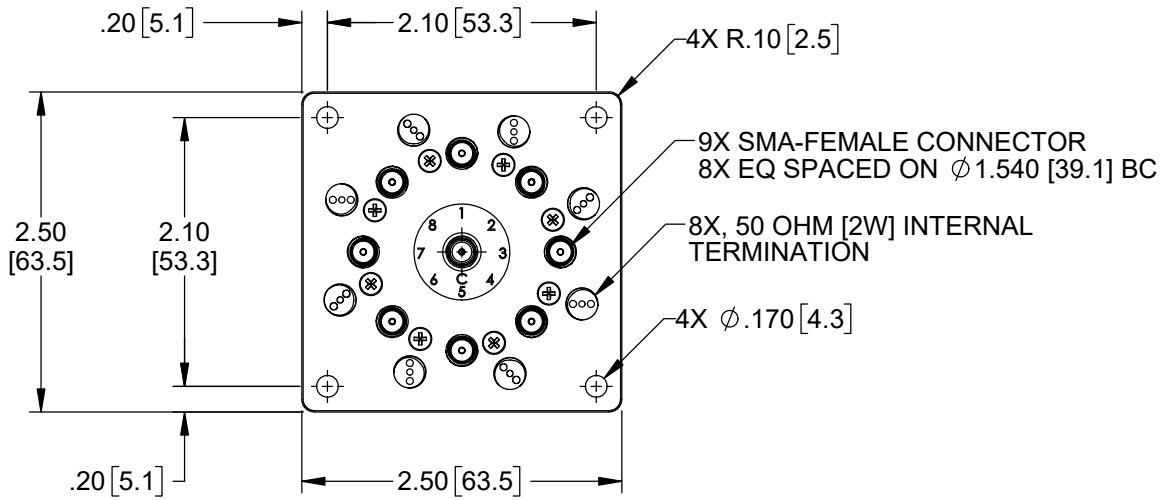
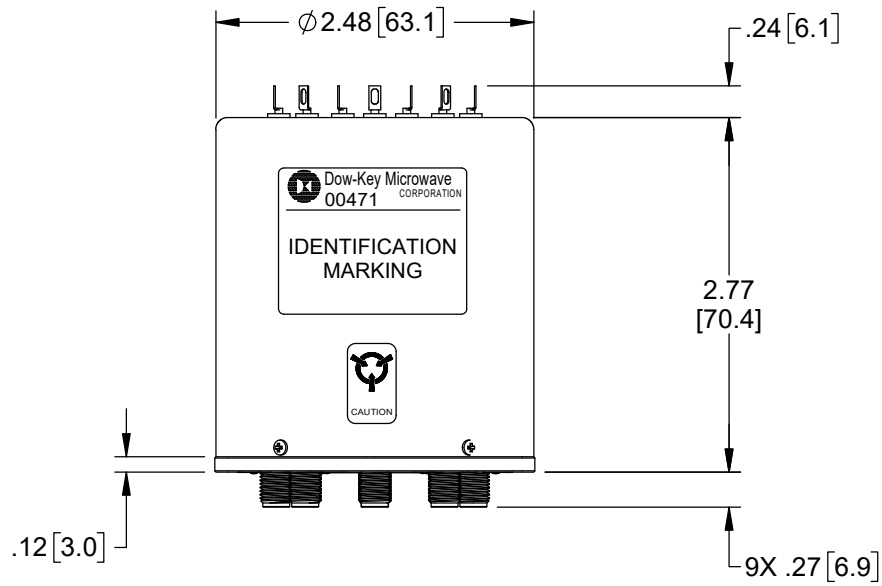
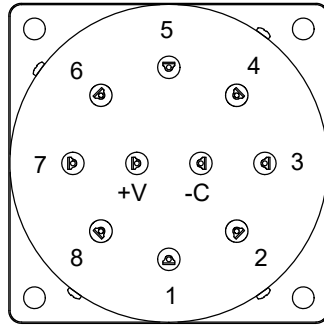


REVISIONS			
REV.	DESCRIPTION	DATE	APPROVED
C	REVISED PER ECO 11458	4/29/16	K.R.
D	REVISED PER ECO 12698	10/8/21	A.Z.

Nominal Coil Voltage	Part Number
12 Vdc	581-520803A
15 Vdc	581-590803A
24 Vdc	581-580803A
28 Vdc	581-530803A

APPROVALS	DATE	 DowKey[®] Microwave CORPORATION <small>A DOVER TECHNOLOGIES COMPANY</small>	4822 McGrath Street Ventura, CA. 93003-5641 PH: (805) 650-0260 FAX: (805) 650-1734		
DRAWN			SWITCH, SP8T, NORMALLY OPEN SMA-FEMALE CONNECTORS, 5V CONTROL 50 OHM [2W] INTERNAL TERMINATIONS		
S. LEE	10/4/2021				
ENGINEERING					
G. NICKLAUS	10/6/2021				
QUALITY		CODE IDENT. NO.	DWG. NO.		
K.GLASER	10/8/2021	00471	581-5X0803A		
MANUFACTURING		SCALE	NONE	SHEET	1 OF 3
R.GARCIA	10/8/2021				

OUTLINE DRAWING:



[] MILLIMETERS

UNLESS OTHERWISE SPECIFIED TOLERANCES ARE: .XXX ±.010 ANGLES: ±3° .XX ±.030	CODE IDENT. NO. 00471	DWG. NO. 581-5X0803A	REV. D
	SCALE NONE	SHEET 2 OF 3	

SPECIFICATION:

1.0 RF CHARACTERISTICS:

1.1 FREQUENCY (GHz)	DC - 4	4 - 8	8 - 12	12 - 18
1.2 VSWR (RATIO MAX)	1.20:1	1.30:1	1.40:1	1.50:1
1.3 INSERTION LOSS (dB MAX)	0.20	0.30	0.40	0.50
1.4 ISOLATION (dB MIN)	80	75	70	60
1.5 RF POWER (WATTS CW MAX) AT SEA LEVEL, +40°C, LOAD VSWR 1:1	125	90	75	60
1.6 IMPEDANCE (NOMINAL)	50 OHMS			

2.0 ACTUATION DATA:

2.1	NOMINAL VOLTAGE	OPERATING VOLTAGE	CURRENT (NOMINAL) @ NOMINAL VOLTAGE & 25°C
	12	11-14	325mA
	15	13-17	265mA
	24	20-28	165mA
	28	24-32	140mA

2.2 SWITCHING TIME: 15mS MAX
 2.3 OPERATING MODE: NORMALLY OPEN

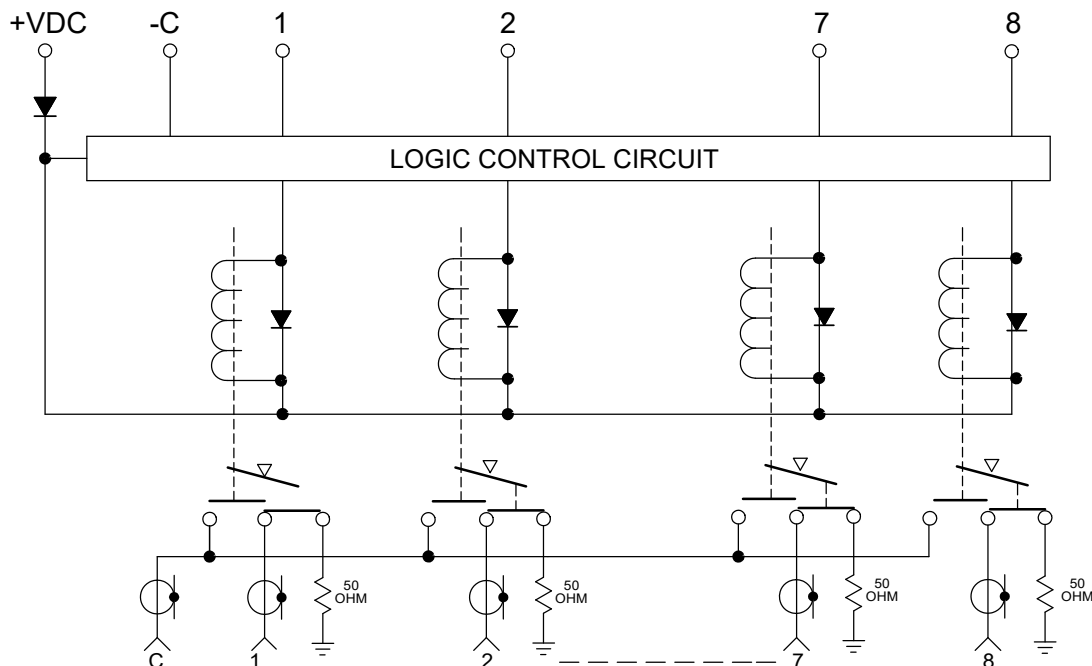
3.0 MECHANICAL:

3.1 CONTACT ARRANGEMENT: SP8T
 3.2 RF CONTACTS: BREAK BEFORE MAKE
 3.3 WEIGHT: 11.0oz (312g) NOMINAL
 3.4 DESIGN LIFE: 1,000,000 CYCLES MINIMUM

4.0 ENVIRONMENTAL:

4.1 OPERATING TEMPERATURE: -25°C TO +65°C
 4.2 STORAGE TEMPERATURE: -55°C TO +85°C
 4.3 SEAL: SAND AND DUST

SCHMATIC:



LOGIC HI "1" (ON) = 2.4 - 5.5 Vdc (1.35mA @ 3.85Vdc)
 LOGIC LO "0" (OFF) = 0.0 - 0.8 Vdc (0mA @ 0Vdc)

CODE IDENT. NO. 00471	DWG. NO. 581-5X0803A	REV. D
SCALE NONE	SHEET 3 OF 3	