
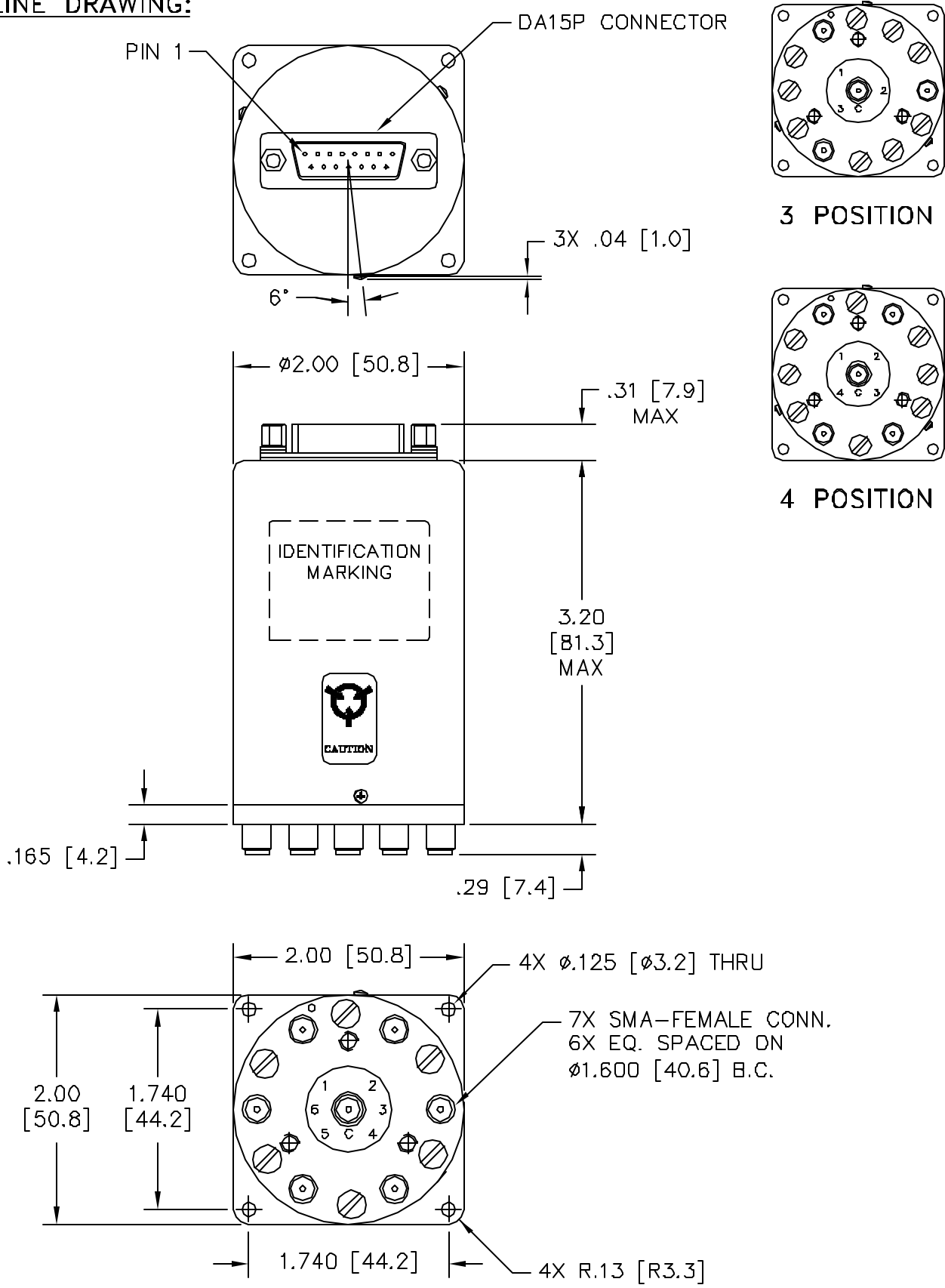


REVISIONS			
REV.	DESCRIPTION	DATE	APPROVED
A	PRODUCTION RELEASE	10/12/06	S.L.

Nominal Coil Voltage	Part Number		
	SP3T	SP4T	SP6T
12 Vdc	431JL-420822A	441JL-420822A	461JL-420822A
15 Vdc	431JL-490822A	441JL-490822A	461JL-490822A
24 Vdc	431JL-480822A	441JL-480822A	461JL-480822A
28 Vdc	431JL-430822A	441JL-430822A	461JL-430822A

REVISIONS	A	A	A				 DowKey Microwave <small>CORPORATION</small>	4822 McGrath Street Ventura, CA. 93003-5641 PH: (805) 650-0260 FAX: (805) 650-1734
SHEET NO.	1	2	3					
APPROVALS		DATE					A TECHNICAL COMPANY SWITCH, 3-6 POSITION, LATCHING SELF CUT-OFF SMA-FEMALE CONNECTORS, INDICATORS, TTL-HI CONTROL, DA15P CONNECTOR, FLANGE MOUNT	
DRAWN	S. LEE	10/10/06						
ENG	G. NICKLAUS	10/10/06						
ENG. MGR.	G. BONDI	10/12/06						
SALES MGR.	V. HARTER	10/11/06						
Q.A. MGR.	S. LYNCH	10/10/06						
MFG. MGR.	M. MARTINEZ	10/10/06					CODE IDENT. NO. 00471	DWG. NO. 4X1JL-4X0822A
SCALE		NONE		FINAL ASSY:		SHEET 1 OF 3		

OUTLINE DRAWING:



[] MILLIMETERS

UNLESS OTHERWISE SPECIFIED TOLERANCES ARE: .XXX ±.010 ANGLES: ±3' .XX ±.030	CODE IDENT. NO.	DWG. NO.	REV.
	00471	4X1JL-4X0822A	A
SCALE NONE	SHEET 2 OF 3		

SPECIFICATIONS:

1. RF CHARACTERISTICS:

1.1 FREQUENCY (GHz):	DC-4	4-8	8-12.4	12.4-18
1.2 VSWR (RATIO MAX):	1.20:1	1.30:1	1.40:1	1.50:1
1.3 INSERTION LOSS (dB MAX):	0.20	0.30	0.40	0.50
1.4 ISOLATION (dB MIN):	85	75	70	60
1.5 RF POWER (WATTS CW MAX):	100	50	35	25

2. ACTUATION DATA:

2.1	NOMINAL VOLTAGE	OPERATING VOLTAGE	CURRENT (TYP) @ NOMINAL VOLTAGE & 25°C
	12	11-14	570mA
	15	13-17	365mA
	24	20-28	225mA
	28	24-32	180mA

- 2.2 SWITCHING TIME: 15ms MAX
 2.3 OPERATING MODE: LATCHING SELF CUT-OFF, TTL-HI CONTROL

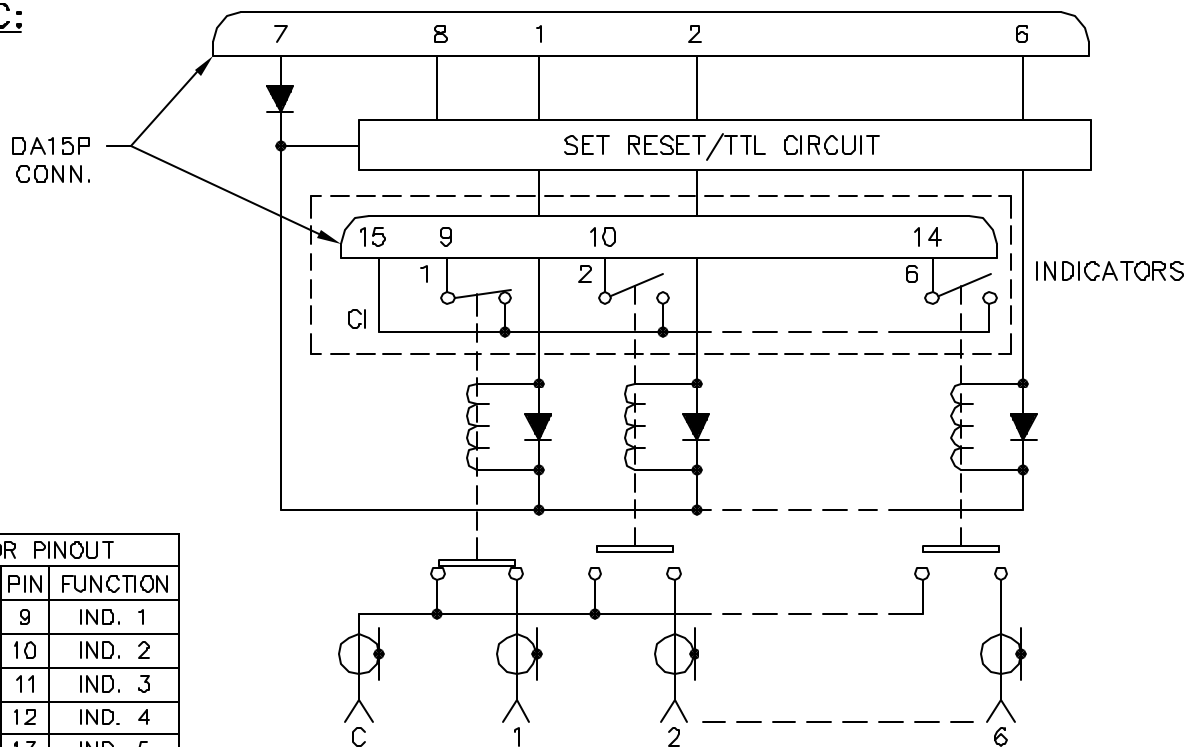
3. MECHANICAL:

- 3.1 RF CONTACTS: BREAK BEFORE MAKE
 3.2 WEIGHT: 11oz. (312g.) NOMINAL
 3.3 DESIGN LIFE: 1,000,000 CYCLES MIN

4. ENVIRONMENTAL:

- 4.1 OPERATING TEMPERATURE: -25°C TO +65°C
 4.2 STORAGE TEMPERATURE: -55°C TO +85°C
 4.3 SEAL: SAND AND DUST

SCHMATIC:



CONNECTOR PINOUT			
PIN	FUNCTION	PIN	FUNCTION
1	LOGIC POS 1	9	IND. 1
2	LOGIC POS 2	10	IND. 2
3	LOGIC POS 3	11	IND. 3
4	LOGIC POS 4	12	IND. 4
5	LOGIC POS 5	13	IND. 5
6	LOGIC POS 6	14	IND. 6
7	+VDC	15	IND. COM.
8	-COM		

LOGIC LO (OFF) "0" = 0.0V-0.8V
 LOGIC HI (ON) "1" = 2.4V-5.5V

SCHMATIC SHOWN WITH POSITION 1 SELECTED

CODE IDENT. NO. 00471	DWG. NO. 4X1JL-4X0822A	REV. A
SCALE NONE	SHEET 3 OF 3	