

REVISIONS			
REV.	DESCRIPTION	DATE	APPROVED
B	REVISED AND REDRAWN	01/12/99	J.A.
C	REVISED PER ECO 10864	7/16/14	K.R.

Nominal Coil Voltage	Part Number
12 Vdc	402P-620132
15 Vdc	402P-690132
24 Vdc	402P-680132
28 Vdc	402P-630132

REVISIONS	C	C	C			
SHEET NO.	1	2	3			
APPROVALS			DATE			
DRAWN R. CANNY		11/23/98				
ENGINEERING A. CHEUNG		12/15/98				
QUALITY S. EVERETT		12/17/98				
MANUFACTURING						



DowKey®
Microwave
CORPORATION

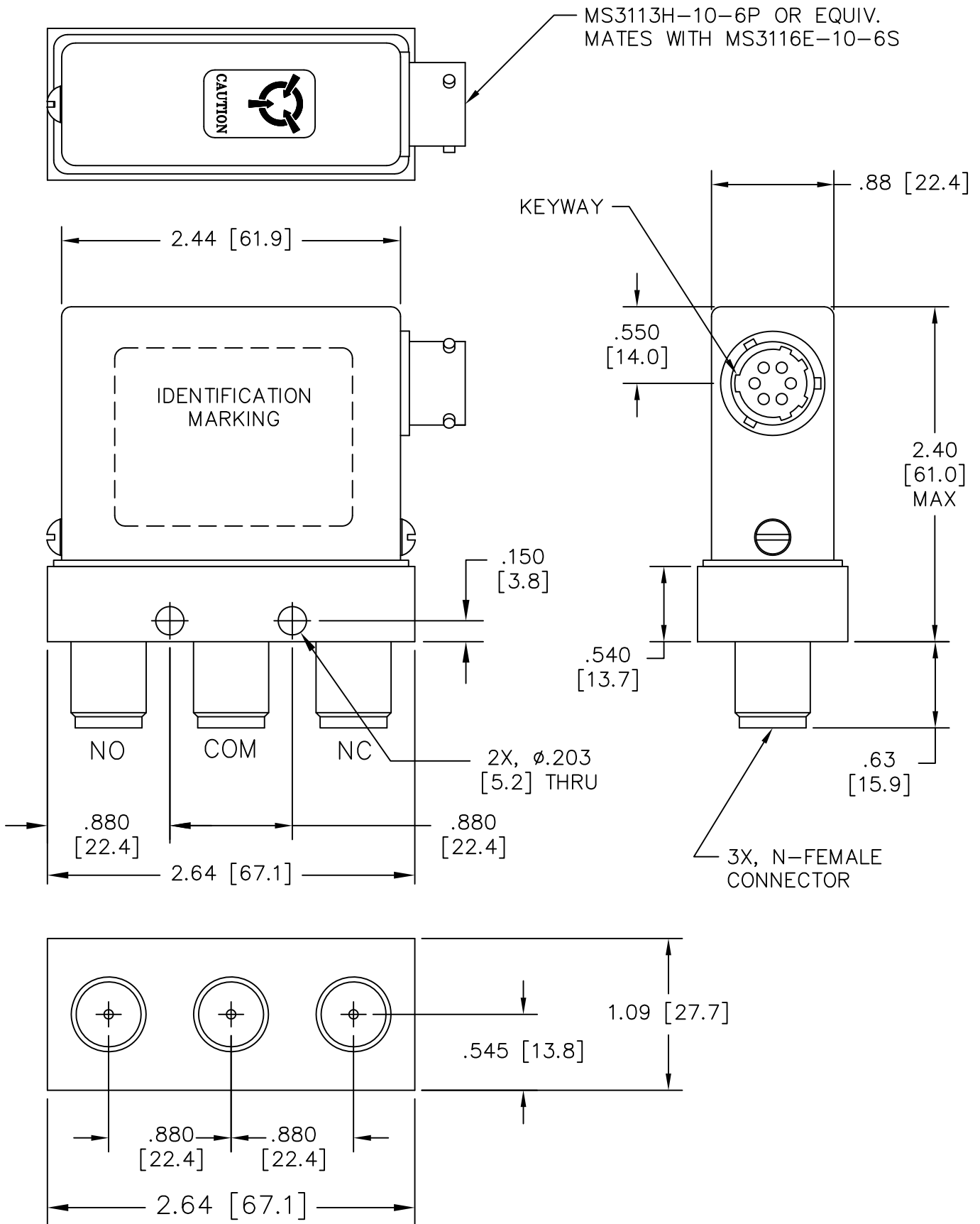
4822 McGrath Street
Ventura, CA. 93003-5641
PH: (805) 650-0260
FAX: (805) 650-1734

A DOVER TECHNOLOGIES COMPANY

SWITCH, SPDT, FAILSAFE WITH SUPPRESSION DIODE
N-FEMALE CONNECTORS,
MECHANICAL INDICATORS

CODE IDENT. NO. 00471	DWG. NO. 402P-6X0132
SCALE NONE	FINAL ASSY:
SHEET 1 OF 3	

OUTLINE DRAWING:



[] MILLIMETERS

UNLESS OTHERWISE SPECIFIED TOLERANCES ARE: .XXX ±.010 ANGLES: ±3' .XX ±.030	CODE IDENT. NO.	DWG. NO.	REV.
	00471	402P-6X0132	C
SCALE	NONE	SHEET	2 OF 3

SPECIFICATIONS:

1. RF CHARACTERISTICS:

1.1 FREQUENCY (GHz):	DC-1	1-2	2-4	4-8	8-12.4
1.2 VSWR (RATIO MAX):	1.15	1.20	1.25	1.45	1.50
1.3 INSERTION LOSS (dB MAX):	0.15	0.20	0.25	0.40	0.50
1.4 ISOLATION (dB MIN):	85	80	70	60	60
1.5 RF POWER (WATTS CW MAX):	600	400	300	200	175

2. ACTUATION DATA:

NOMINAL VOLTAGE	OPERATING VOLTAGE	CURRENT (TYP) @ NOMINAL VOLTAGE & 25°C
12	11-14	260mA
15	13-17	230mA
24	20-28	145mA
28	24-32	110mA

- 2.2 SWITCHING TIME: 20ms MAX
 2.3 OPERATING MODE: FAILSAFE

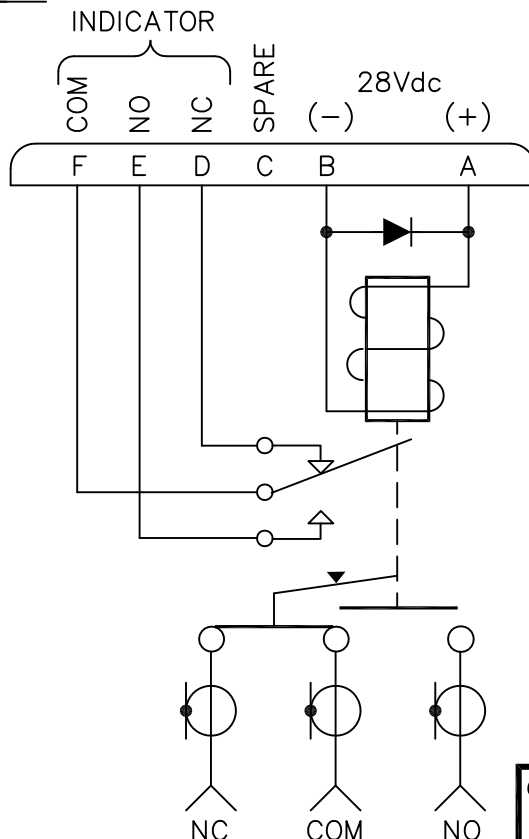
3. MECHANICAL:

- 3.1 RF CONTACTS: BREAK BEFORE MAKE
 3.2 WEIGHT: 7.5oz. (213g.) NOMINAL
 3.3 DESIGN LIFE: 1,000,000 CYCLES MIN

4. ENVIRONMENTAL:

- 4.1 OPERATING TEMPERATURE: -25°C TO +65°C
 4.2 STORAGE TEMPERATURE: -55°C TO +85°C
 4.3 SEAL: GASKET SEAL

SCHEMATIC:



SHOWN IN THE DE-ENERGIZED
(FAILSAFE) POSITION

CODE IDENT. NO. 00471	DWG. NO. 402P-6X0132	REV. C
SCALE NONE	SHEET 3 OF 3	