
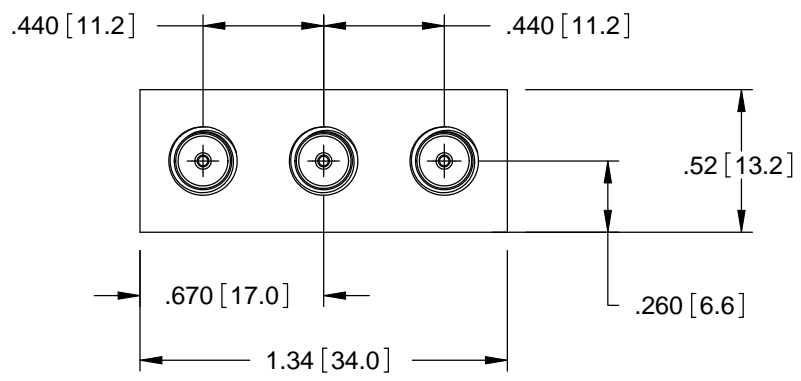
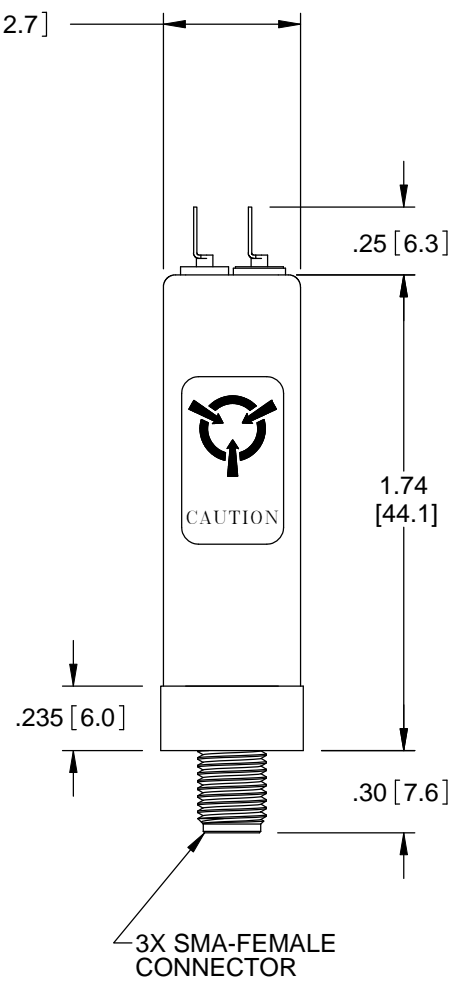
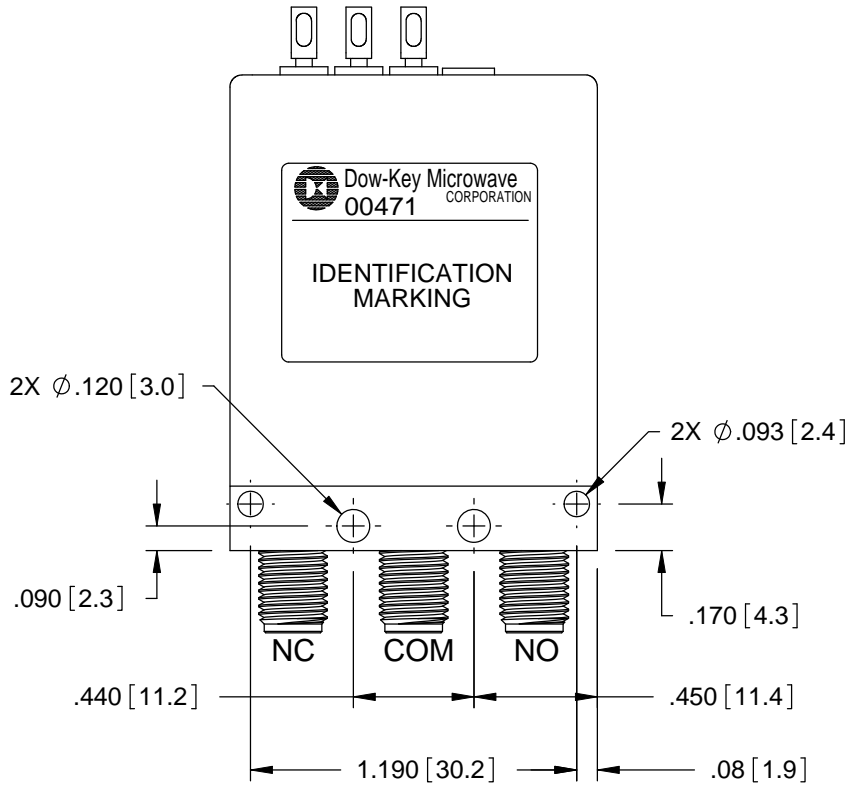
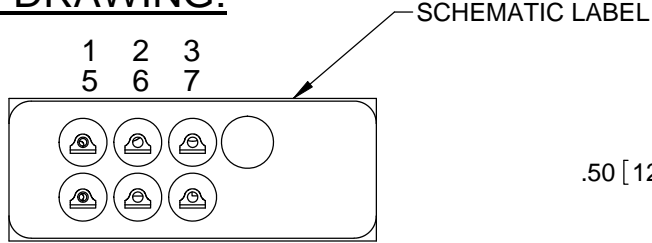


REVISIONS			
REV.	DESCRIPTION	DATE	APPROVED
B	REVISED PER ECO 6853	9/26/01	M.R.
C	REVISED AND REDRAWN PER ECO 11051	1/8/15	K.R.

Nominal Coil Voltage	Part Number
12 Vdc	401T-220832A
15 Vdc	401T-290832A
24 Vdc	401T-280832A
28 Vdc	401T-230832A

REVISIONS	C	C	C				 DowKey® Microwave CORPORATION <small>A DOVER TECHNOLOGIES COMPANY</small>	4822 McGrath Street Ventura, CA. 93003-5641 PH: (805) 650-0260 FAX: (805) 650-1734			
SHEET NO.	1	2	3								
APPROVALS			DATE			SWITCH, SPDT, FAILSAFE, TTL CONTROL SMA-FEMALE CONNECTORS, INDICATORS EXTENDED TEMP -55 °C TO +85 °C					
DRAWN SARA LEE			01/06/15						CODE IDENT. NO.		DWG. NO.
ENGINEERING T. JOHNSON			1/7/2015						00471		401T-2X0832A
QUALITY G. WAKEFIELD			1/8/2015						SCALE		NONE
MANUFACTURING R. GARCIA			1/8/2015						FINAL ASSY: 401T-230832A		SHEET 1 OF 3

OUTLINE DRAWING:



[] MILLIMETERS

UNLESS OTHERWISE SPECIFIED TOLERANCES ARE: .XXX ±.010 ANGLES: ±3° .XX ±.030	CODE IDENT. NO. 00471	DWG. NO. 401T-2X0832A	REV. C
	SCALE NONE	FINAL ASSY: 401T-230832A	SHEET 2 OF 3

SPECIFICATION:

1.0 RF CHARACTERISTICS:

1.1 FREQUENCY (GHz)	DC - 1	1 - 4	4 - 8	8 - 12	12 - 18
1.2 VSWR (RATIO MAX)	1.10:1	1.15:1	1.20:1	1.30:1	1.35:1
1.3 INSERTION LOSS (dB MAX)	0.10	0.15	0.20	0.30	0.35
1.4 ISOLATION (dB MIN)	85	80	70	65	60
1.5 RF POWER (WATTS CW MAX)	200	125	90	75	60
1.6 IMPEDANCE (NOMINAL)	50 OHMS				

2.0 ACTUATION DATA:

2.1	NOMINAL VOLTAGE	OPERATING VOLTAGE	CURRENT (TYP) @ NOMINAL VOLTAGE & 25°C
	12	11-14	185mA
	15	13-17	160mA
	24	20-28	120mA
	28	24-32	90mA

2.2 SWITCHING TIME 15mS MAX
 2.3 OPERATING MODE FAILSAFE

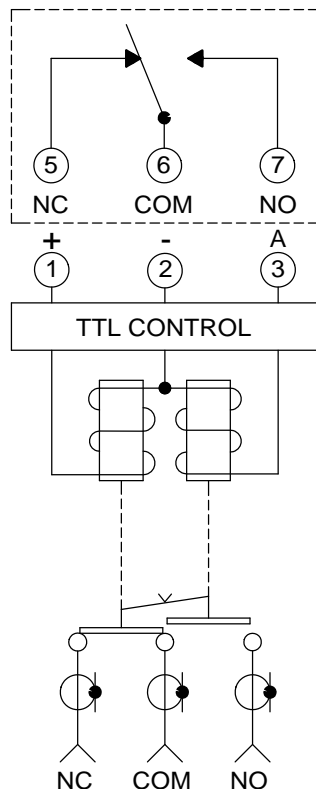
3.0 MECHANICAL:

3.1 CONTACT ARRANGEMENT SPDT
 3.2 RF CONTACTS BREAK BEFORE MAKE
 3.3 WEIGHT 1.4 oz (40 g) NOMINAL
 3.4 DESIGN LIFE 1,000,000 CYCLES MINIMUM

4.0 ENVIRONMENTAL:

4.1 OPERATING TEMPERATURE -55°C TO +85°C
 4.2 STORAGE TEMPERATURE -55°C TO +85°C
 4.3 SEAL: EPOXY SEAL

SCHMATIC:



RF PATH	INDICATOR PATH	LOGIC INPUT 'A'
NC - COM	NC - COM	0
NO - COM	NO - COM	1

LOGIC HI (ON) 1 = 2.4-5.5Vdc
 LOGIC LOW (OFF) 0 = 0-0.8Vdc

SWITCH SHOWN IN THE DE-ENERGIZED POSITION

CODE IDENT. NO. 00471	DWG. NO. 401T-2X0832A	REV. C
SCALE NONE	FINAL ASSY: 401T-230832A	SHEET 3 OF 3