

REVISIONS			
REV.	DESCRIPTION	DATE	APPROVED
A	PRODUCTION RELEASE	04/07/11	K.R.

Nominal Coil Voltage	Part Number
12 Vdc	401AJ-720832
15 Vdc	401AJ-790832
24 Vdc	401AJ-780832
28 Vdc	401AJ-730832

REVISIONS	A	A	A			
SHEET NO.	1	2	3			
APPROVALS			DATE			
DRAWN SARA LEE			04/06/11			
ENGINEERING G. NICKLAUS			04/06/11			
QUALITY S. LYNCH			04/07/11			
MANUFACTURING J. LEE			04/07/11			



DowKey®
Microwave
CORPORATION

4822 McGrath Street
Ventura, CA. 93003-5641
PH: (805) 650-0260
FAX: (805) 650-1734

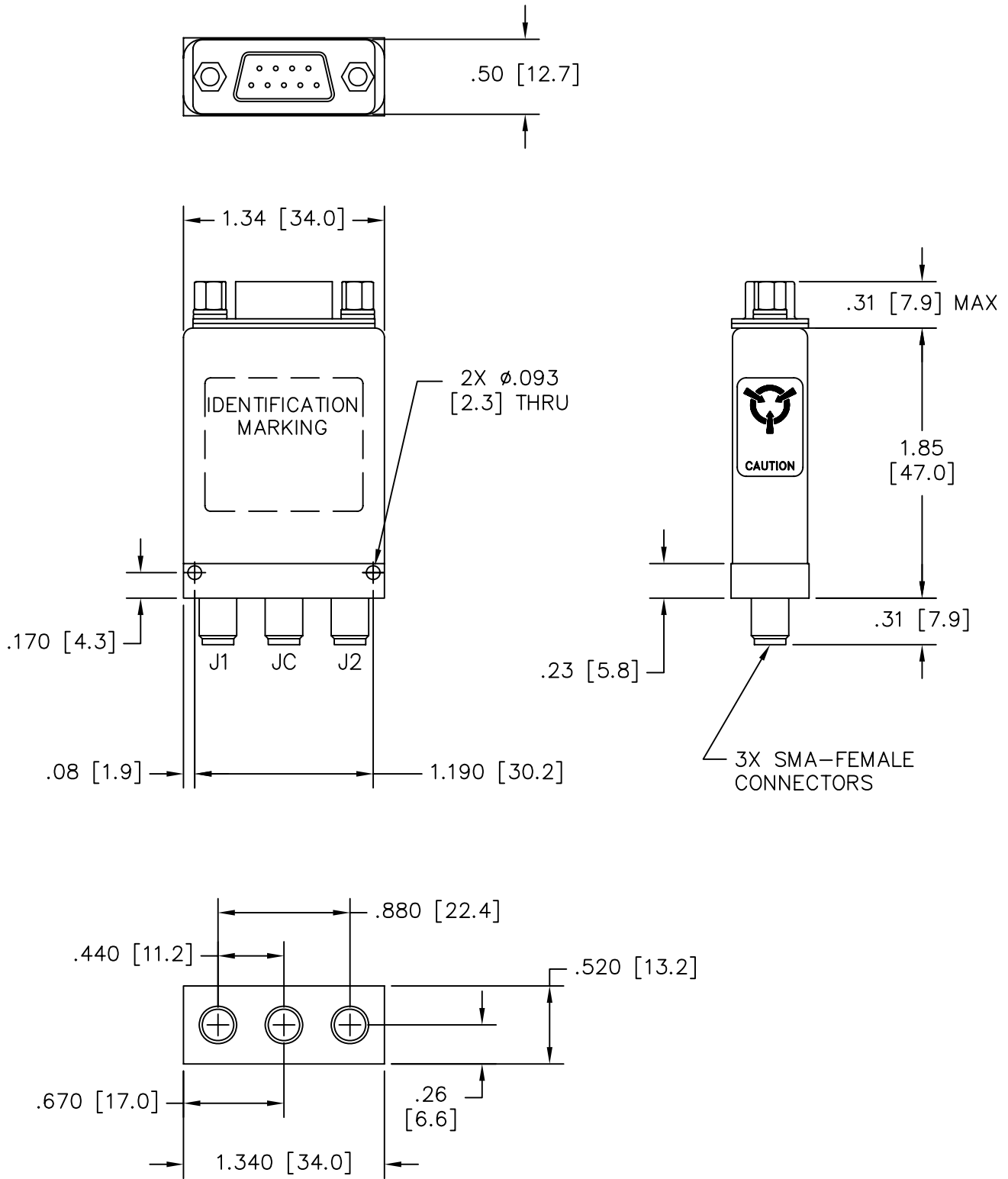
A **DOVER** TECHNOLOGIES COMPANY

SWITCH, SPDT, PULSE LATCHING,
HI-POWER SMA-FEMALE CONNECTORS, INDICATORS
SUPPRESSION DIODES, NEGATIVE COMMON

CODE IDENT. NO. 00471	DWG. NO. 401AJ-7X0832
--------------------------	--------------------------

SCALE NONE	FINAL ASSY:	SHEET 1 OF 3
------------	-------------	--------------

OUTLINE DRAWING:



[] MILLIMETERS

UNLESS OTHERWISE SPECIFIED TOLERANCES ARE:
 .XXX $\pm .010$ ANGLES: $\pm 3^\circ$
 .XX $\pm .030$

CODE IDENT. NO.
 00471

DWG. NO.
 401AJ-7X0832

REV.
 A

SCALE NONE

SHEET 2 OF 3

SPECIFICATIONS:

1. RF CHARACTERISTICS:

1.1 FREQUENCY (GHz):	DC-1	1-4	4-8	8-12	12-18
1.2 VSWR (RATIO MAX):	1.10:1	1.15:1	1.20:1	1.30:1	1.35:1
1.3 INSERTION LOSS (dB MAX):	0.10	0.15	0.20	0.30	0.35
1.4 ISOLATION (dB MIN):	85	80	70	65	60
1.5 RF POWER (WATTS CW MAX):	350	200	150	125	95

2. ACTUATION DATA:

2.1	NOMINAL VOLTAGE	OPERATING VOLTAGE	CURRENT (TYP) @ NOMINAL VOLTAGE & 25°C
	12	11-14	220mA
	15	13-17	110mA
	24	20-28	125mA
	28	24-32	110mA

2.2 SWITCHING TIME:	15ms MAX
2.3 OPERATING MODE:	PULSE LATCHING

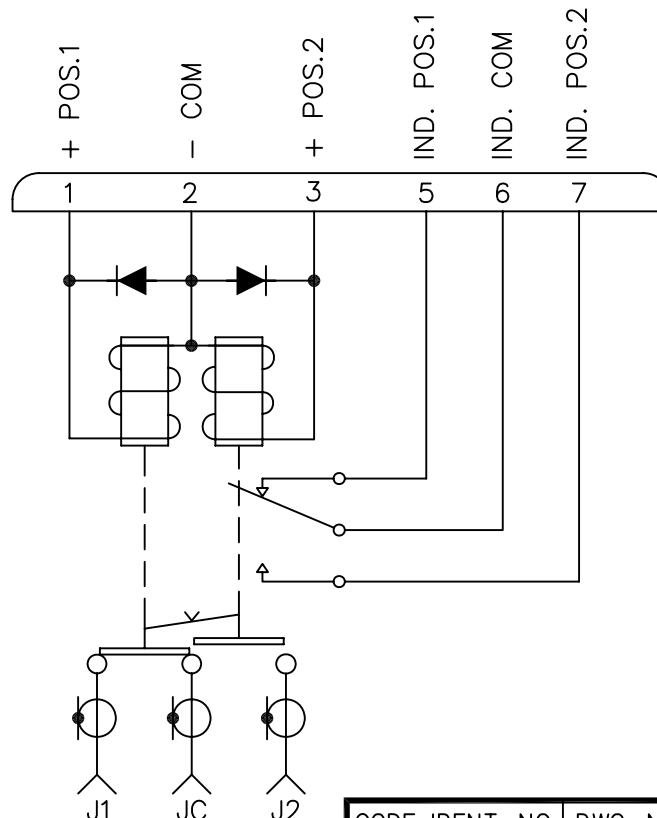
3. MECHANICAL:

3.1 RF CONTACTS:	BREAK BEFORE MAKE
3.2 WEIGHT:	1.4oz. (40g.) NOMINAL
3.3 DESIGN LIFE:	1,000,000 CYCLES MIN

4. ENVIRONMENTAL:

4.1 OPERATING TEMPERATURE:	-25°C TO +65°C
4.2 STORAGE TEMPERATURE:	-55°C TO +85°C
4.3 SEAL:	SAND AND DUST

SCHEMATIC:



CONNECTOR PIN-OUT	
PIN	FUNCTION
1	+ POS.1
2	- COMMON
3	+ POS.2
4	SPARE
5	IND. POS. 1
6	IND. COM
7	IND. POS. 2
8	SPARE
9	SPARE

SCHEMATIC SHOWN WITH
POSITION 1 ENERGIZED.

CODE IDENT. NO. 00471	DWG. NO. 401AJ-7X0832	REV. A
SCALE NONE	SHEET 3 OF 3	