
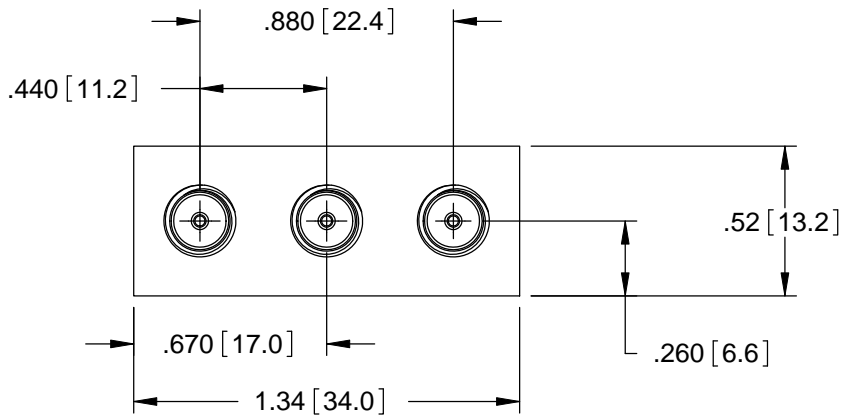
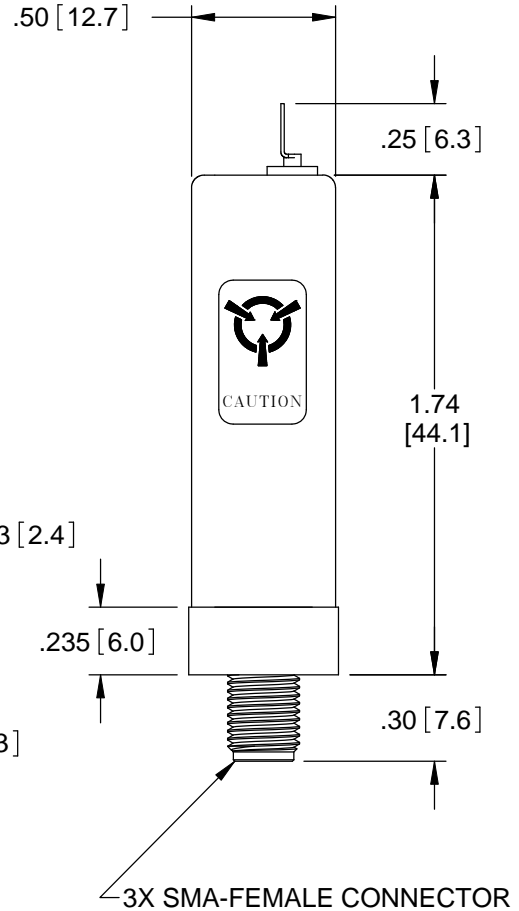
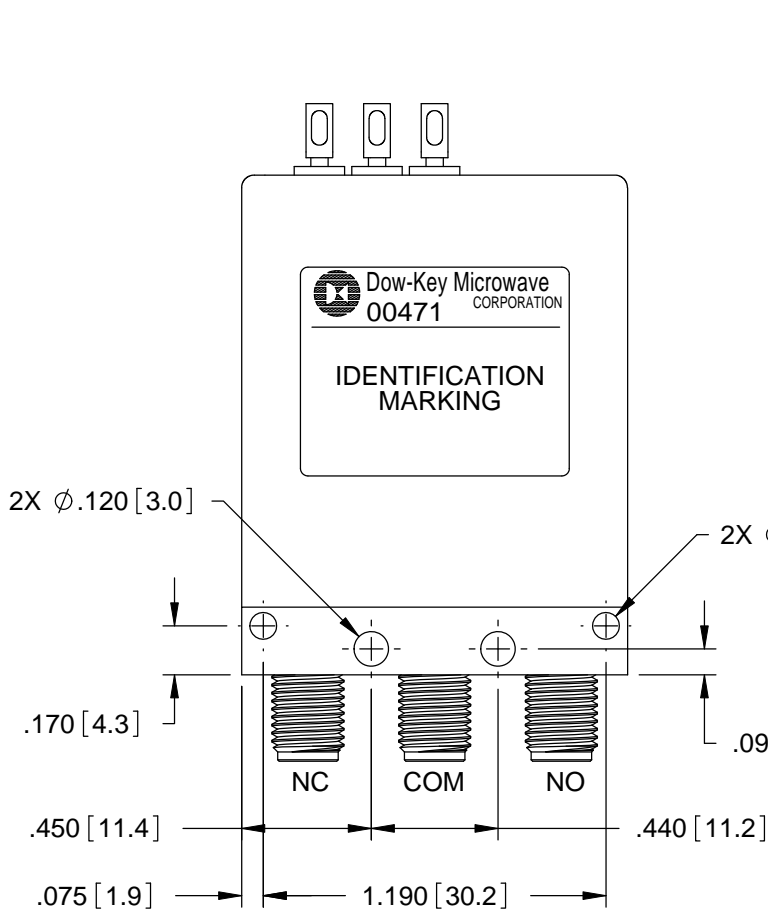
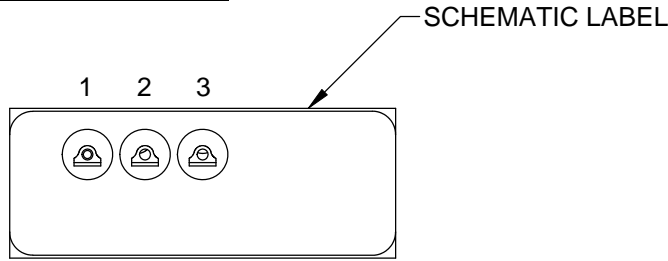


REVISIONS			
REV.	DESCRIPTION	DATE	APPROVED
G	REVISED AND REDRAWN PER ECO 9603	5/25/09	K.R.
H	REVISED PER ECO 11255	6/25/15	K.R.

Nominal Coil Voltage	Part Number
12 Vdc	401-220802A
15 Vdc	401-290802A
24 Vdc	401-280802A
28 Vdc	401-230802A

REVISIONS	H	H	H				 DowKey® Microwave CORPORATION <small>A DOVER TECHNOLOGIES COMPANY</small>	4822 McGrath Street Ventura, CA. 93003-5641 PH: (805) 650-0260 FAX: (805) 650-1734
SHEET NO.	1	2	3					
APPROVALS		DATE					SWITCH, SPDT, FAILSAFE SMA-FEMALE CONNECTORS TTL CONTROL	
DRAWN SARA LEE		5/14/2009						
ENGINEERING T. JOHNSON		6/23/2015						
QUALITY S. LYNCH		6/25/2015						
MANUFACTURING R. GARCIA		6/26/2015						
CODE IDENT. NO.				DWG. NO.				
00471				401-2X0802A				
SCALE		NONE		FINAL ASSY: 401-230802A			SHEET 1 OF 3	

OUTLINE DRAWING:



[] MILLIMETERS

UNLESS OTHERWISE SPECIFIED TOLERANCES ARE: .XXX ±.010 ANGLES: ±3° .XX ±.030	CODE IDENT. NO. 00471	DWG. NO. 401-2X0802A	REV. H
	SCALE NONE	FINAL ASSY: 401-230832A	SHEET 2 OF 3

SPECIFICATION:

1.0 RF CHARACTERISTICS:

1.1 FREQUENCY (GHz)	DC - 1	1 - 4	4 - 8	8 - 12	12 - 18
1.2 VSWR (RATIO MAX)	1.10:1	1.15:1	1.20:1	1.30:1	1.35:1
1.3 INSERTION LOSS (dB MAX)	0.10	0.15	0.20	0.30	0.35
1.4 ISOLATION (dB MIN)	85	80	70	65	60
1.5 RF POWER (WATTS CW MAX)	200	125	90	75	60
1.6 IMPEDANCE (NOMINAL)	50 OHMS				

2.0 ACTUATION DATA:

2.1	NOMINAL VOLTAGE	OPERATING VOLTAGE	CURRENT (TYP) @ NOMINAL VOLTAGE & 25°C
	12	11-14	185mA
	15	13-17	160mA
	24	20-28	120mA
	28	24-32	90mA

2.2 SWITCHING TIME 15mS MAX
2.3 OPERATING MODE FAILSAFE

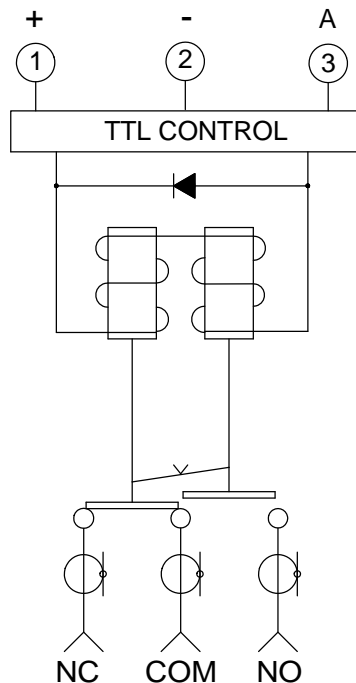
3.0 MECHANICAL:

3.1 CONTACT ARRANGEMENT SPDT
3.2 RF CONTACTS BREAK BEFORE MAKE
3.3 WEIGHT 1.4oz (40g) NOMINAL
3.4 DESIGN LIFE 1,000,000 CYCLES MINIMUM

4.0 ENVIRONMENTAL:

4.1 OPERATING TEMPERATURE -25°C TO +65°C
4.2 STORAGE TEMPERATURE -55°C TO +85°C
4.3 SEAL: SAND AND DUST

SCHEMATIC:



RF PATH	LOGIC INPUT 'A'
NC - COM	0
NO - COM	1

LOGIC HI "1" = 2.4-5.5Vdc
LOGIC LOW "0" = 0-0.8Vdc

CODE IDENT. NO. 00471	DWG. NO. 401-2X0802A	REV. H
SCALE NONE	FINAL ASSY: 401-230802A	SHEET 3 OF 3