

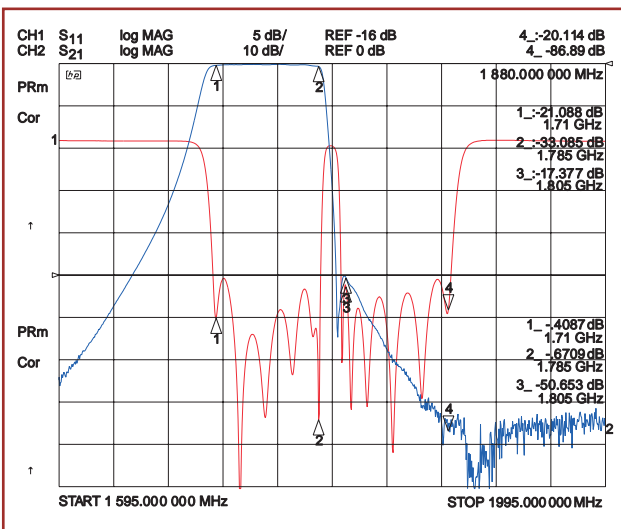
WSA-00100 Dual Band Duplexer EGSM/DCS

◆ Description:

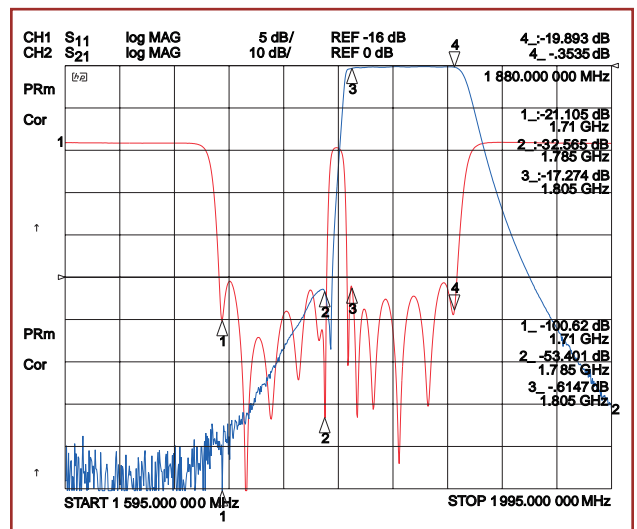
The WSA-00100 is a dual band duplexer which allows for simplified dual band handset testing, or can be used in dual band base station applications. The assembly contains two duplexers. The first provides EGSM band coverage of 880 to 915 MHz and 925 to 960 MHz. The second provides DCS band coverage of 1710 to 1785 MHz and 1805 to 1880 MHz (receive and transmit bands respectively). Each similar function port (for example, Rx-Rx, Tx-Tx, and Antenna to Antenna) are multiplexed together to provide the customer with single receive, transmit and antenna ports for integration to test or base transceiver systems.

◆ Specifications:

Receive Passbands:			
EGSM	880-915 MHz	995-1785 MHz	50 dB minimum
DCS	1710-1785 MHz	1960-2550 MHz	50 dB minimum
Transmit Passbands:		Isolation:	
EGSM	925-960 MHz	Rx Passband(s) to Tx passband(s)	50 dB minimum
DCS	1805-1880 MHz	Tx Passband(s) to Rx passband(s)	50 dB minimum
Passband Insertion Loss:		Passband Return Loss:	14 dB minimum
EGSM	1.2 dB maximum	Maximum Transmit Power Handling:	
DCS	1.0 dB maximum	CW	100 watts
Passband Ripple:	0.8 dB p-p maximum	Peak Instantaneous	1000 watts
Antenna to Receive Rejection:		Operating Temperature:	0 to +50°C
DC-845 MHz	50 dB minimum	Storage Temperature:	-40 to +85°C
925-1630 MHz	50 dB minimum	Operating Humidity:	0 to 90%, relative, non-condensing
1805-2550 MHz	50 dB minimum	Dimensions:	13.19"L x 5.94"W x 3"H
Transmit to Antenna Rejection:		(excluding connectors)	[335 x 150.8 x 76.2mm]
DC-915 MHz	50 dB minimum	Connectors:	N-F (3 places)



DCS Receive Response



DCS Transmit Response

Filtering Solutions for Your Global Market

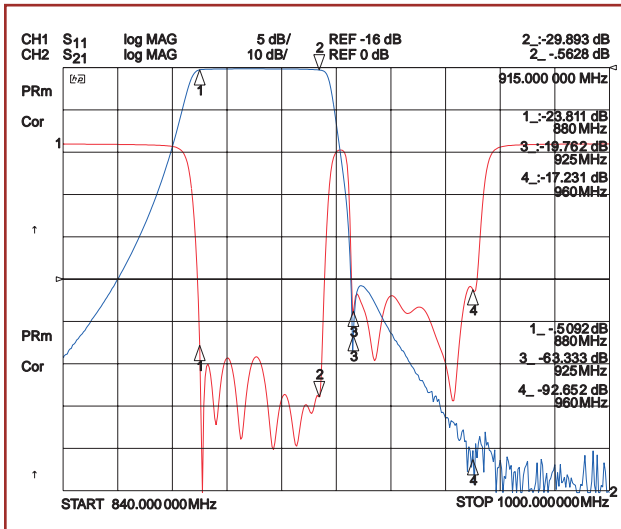
USA
 Phone: 410-749-2424
 FAX: 410-749-5725
 Email: sales@klmicrowave.com

EUROPE
 Phone: 44-(0)-1908-547920
 FAX: 44-(0)-1908-695284
 Email: sales@kleurope.com

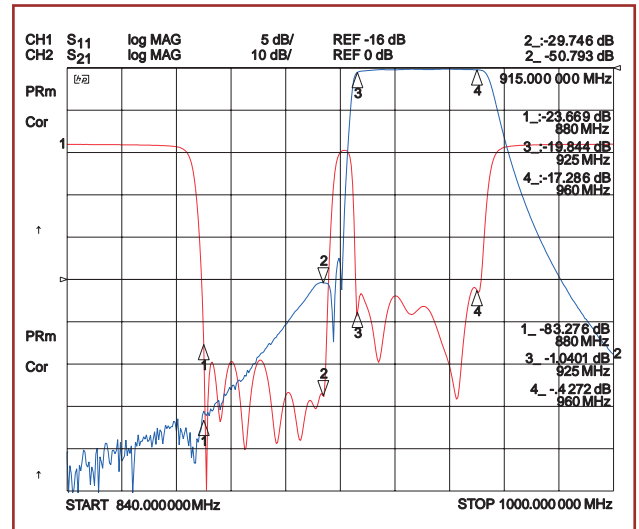
Order On-Line @ www.klmicrowave.com



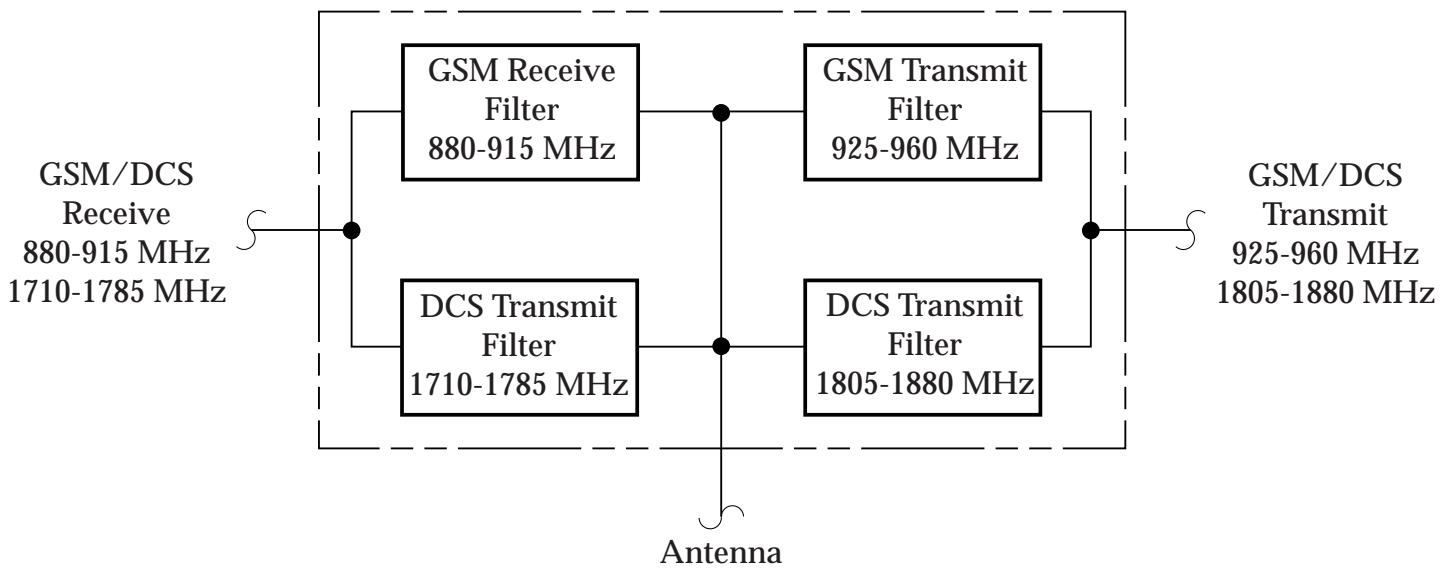
WSA-00100 Dual Band Duplexer EGSM/DCS continued



EGSM Receive Response



EGSM Transmit Response



Filtering Solutions for Your Global Market

USA
 Phone: 410-749-2424
 FAX: 410-749-5725
 Email: sales@klmicrowave.com

EUROPE
 Phone: 44-(0)-1908-547920
 FAX: 44-(0)-1908-695284
 Email: sales@kleurope.com

Order On-Line @ www.klmicrowave.com