

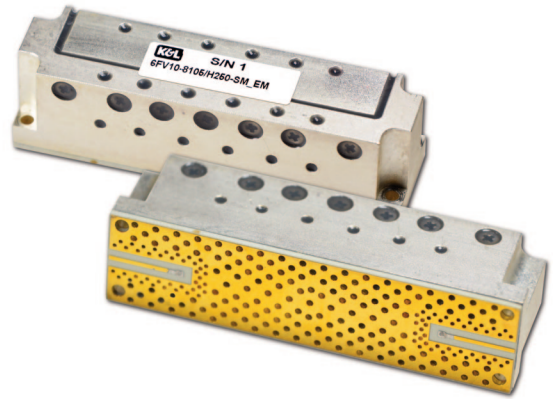
Space Flight Surface Mount Filters - 6FV10-8105/H250-SM

V1 02/08/2022

Patent : US 9136570B2

◆ Features:

- Cavity (TEM) Combine; High Q; low loss
- Customized footprints matched to users board material, ie: Impedance and CTE characteristics
- Hermetically Sealed
- Multipaction by design or analysis
- PWB similar to user's (shown) is attached to the bottom of the filter using SN93 solder.



◆ Applications:

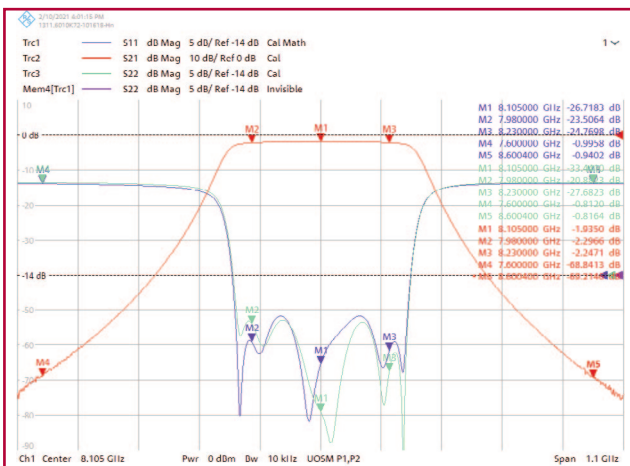
- Space Qualified Receive Path Solution

◆ Specifications:

Center Frequency:	8105 MHz nominal
0.5 dB Bandwidth:	250 MHz min
Insertion Loss:	2.2 dBA max@ Fc
Stopband Atten.	
(7600 MHz):	59 dBc min
(8600 MHz):	60 dBc min
Return Loss:	14.0 dB typical (1.5:1 VSWR)

Approx Filter Size:	1.94 x .50 x .50 inches (49.27 x 12.70 x 12.70 mm)
Connector Interface:	Surface mount In/Out
Operational Temperature:	-40°C to +85°C
Power Handling (CW):	+20 dBm max (100 mw)

◆ Typical Performance:



S21, S11, & S22

www.klmicrowave.com
 Phone: 410-749-2424 • FAX: 443-260-2268
 Email: sales@klmicrowave.com



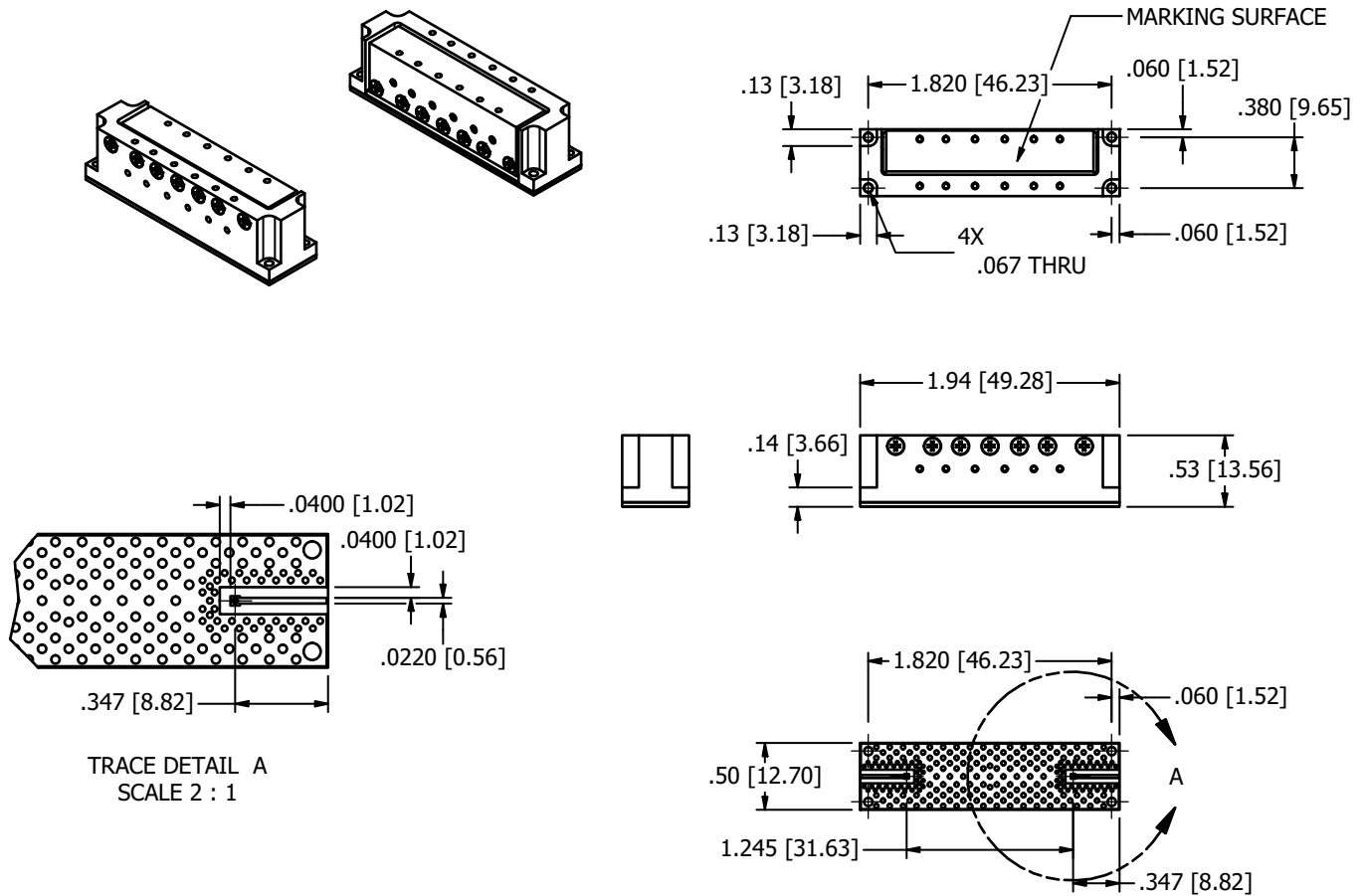
www.klfilterwizard.com
 2250 Northwood Drive
 Salisbury, MD 21804

Space Flight Surface Mount Filters - 6FV10-8105/H250-SM

V1 02/08/2022

Patent : US 9136570B2

◆ Mechanical Outline



TRACE DETAIL A
SCALE 2 : 1