

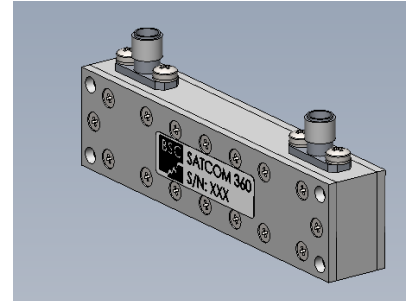
SATCOM 360-01

BSC Filters Limited
10-11 Stirling Park, Bleriot Way
Clifton Moor, York, YO30 4WU. UK
Telephone: +44 (0) 1904 694250
E-mail: sales@bscfilters.com
Web-site: www.bscfilters.com

X BAND RECEIVE FILTER

This compact X Band Satellite receive filter from BSC offers very low insertion loss across the full band with excellent rejection of high-side local oscillator signals.

Passband:	7.25 to 7.75 GHz
Insertion Loss:	0.7 dB max
Return Loss:	18 dB min
Rejection at 8.7 GHz:	70 dB min
Power Handling:	5 W max
Operating temperature:	-20 to 50°C
Connectors:	SMA Female
External Finish:	Gloss Black



Outline:

