

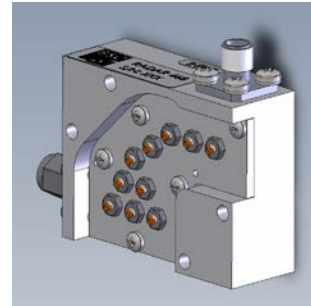
RADAR 468-01

BSC Filters Limited
 10-11 Stirling Park, Bleriot Way
 Clifton Moor, York, YO30 4WU. UK
 Telephone: +44 (0) 1904 694250
 E-mail: sales@bscfilters.com
 Web-site: www.bscfilters.com

INTERDIGITAL BANDPASS FILTER

Designed to accommodate the needs of the Earth Exploration satellite service, as well as Maritime Radio Navigation and Primary Radio location applications, this compact low loss filter is suitable for inline integration in Tx/Rx chains with its opposite sex connectors.

Passband:	9.2 to 9.3 GHz
Insertion Loss:	1.0 dB max
Return Loss:	16 dB min
Rejection from 9.41 to 10.0 GHz:	30 dB min
Power Handling:	5 W max
Operating temperature:	-40 to 85°C
Connectors:	SMA Female SMA Male
External Finish:	Matt Black



Outline:

