

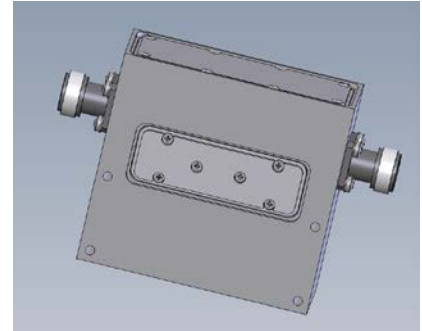
GPS 516-01

BSC Filters Limited
10-11 Stirling Park, Bleriot Way
Clifton Moor, York, YO30 4WU. UK
Telephone: +44 (0) 1904 694250
E-mail: sales@bscfilters.com
Web-site: www.bscfilters.com

GPS NOTCH FILTER

BSC offer a wide range of high performance filters for GPS applications. The GPS 516 filter is a compact notch filter centred on GPS L1. Fitted to the output of high power transmitters in a ruggedized environment it allows simultaneous operation of the high power transmitter whilst protecting co-located GPS L1 receivers by over 60dB.

Passband:	500 to 1500 MHz 1750 to 2500 MHz
Passband Insertion Loss:	1.5 dB max
Return Loss:	12 dB min
Rejection from 1575 to 1626.5 MHz:	30 dB min
1570 to 1581 MHz:	60 dB min
1616 to 1627 MHz:	50 dB min
Power Handling from 500 to 2500 MHz:	100 W CW max
Operating temperature:	-33 to 55°C
Connectors:	N-Type Female
Finish:	Matt Black



Outline:

